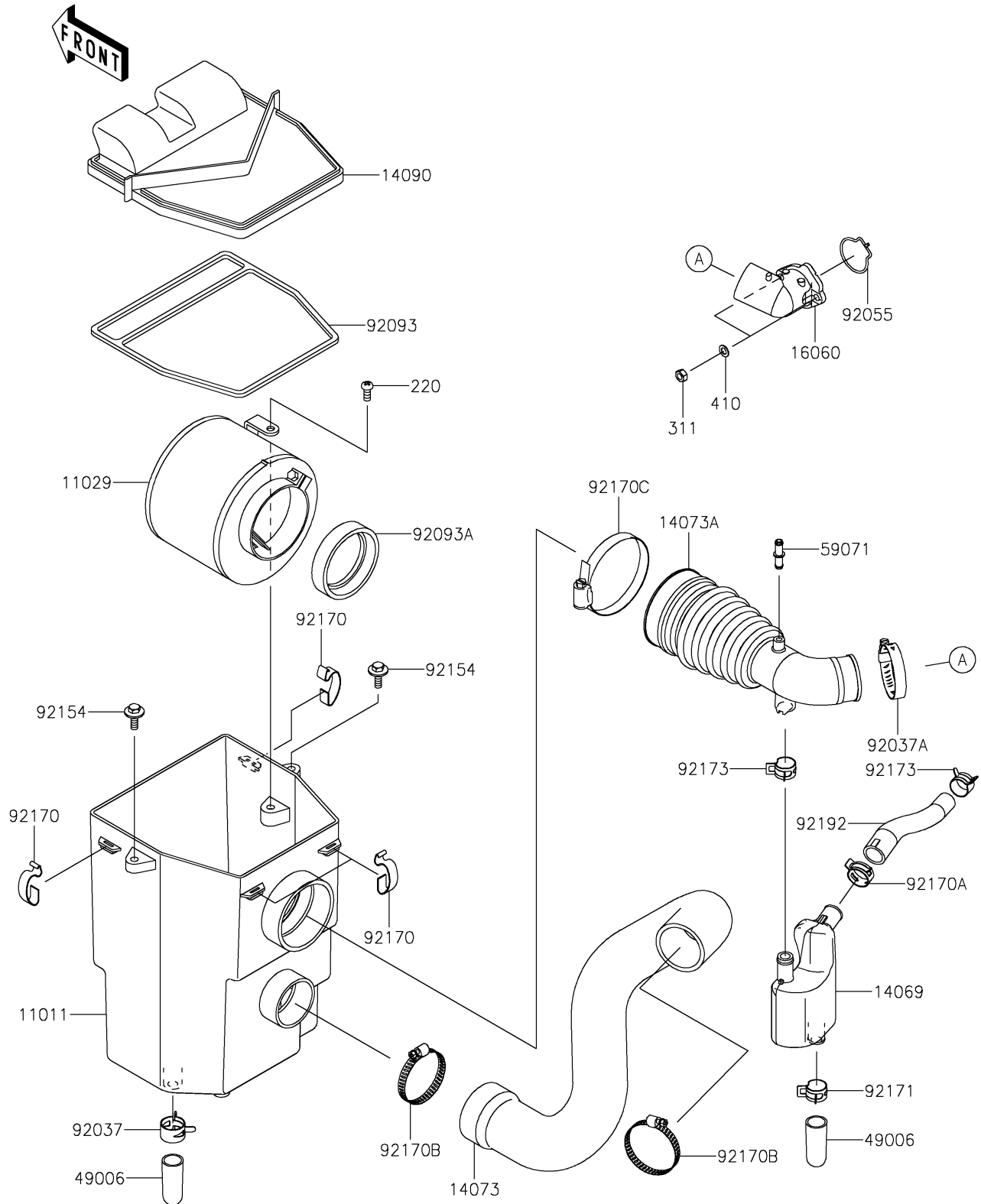


2024 MULE SX™ 4x4

PARTS DIAGRAM

Air Cleaner

E1130



2024 MULE SX™ 4x4

PARTS LIST

Air Cleaner



ITEM NAME	PART NUMBER	QUANTITY
-----------	-------------	----------