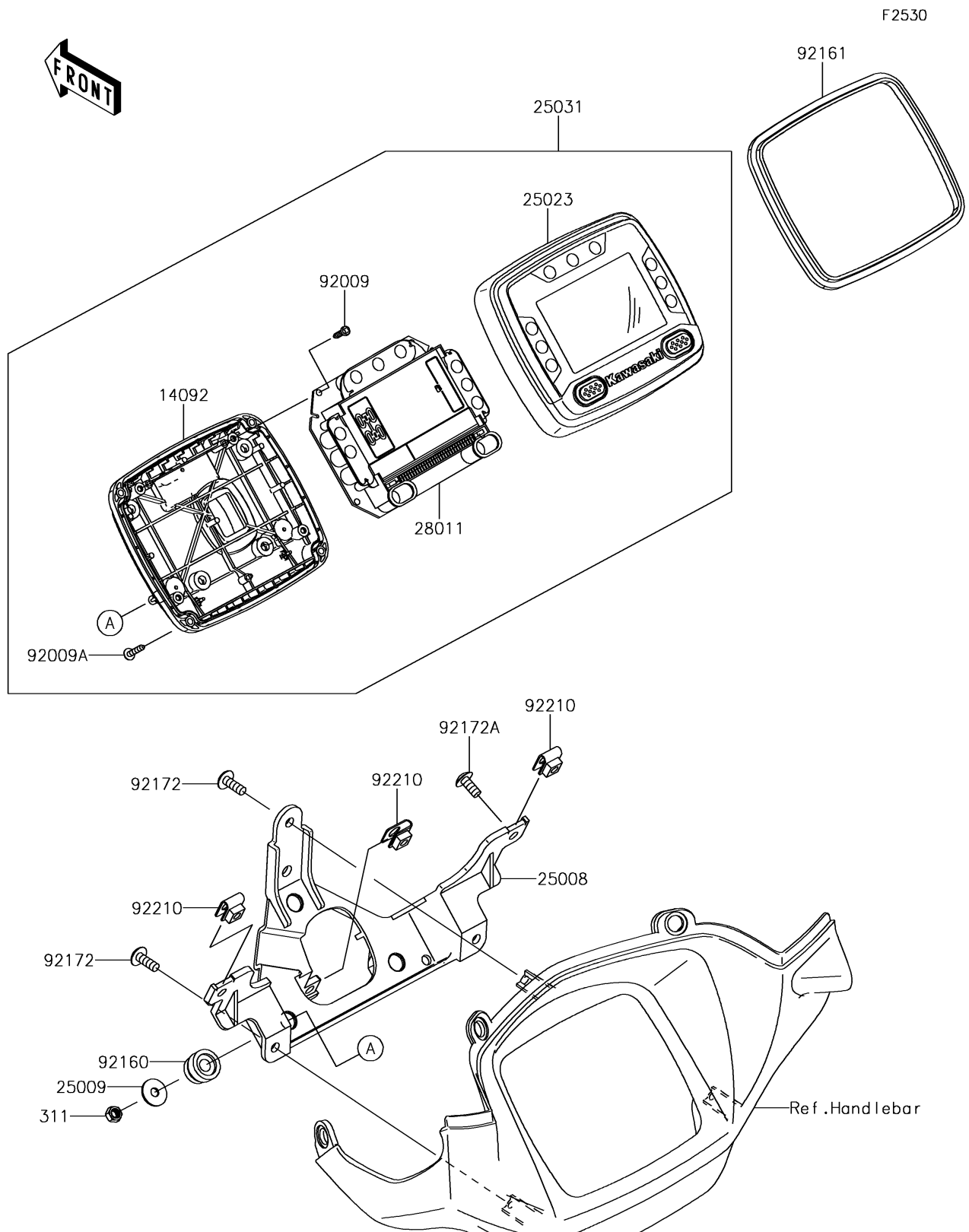


# 2016 BRUTE FORCE® 750 4x4i EPS

## PARTS DIAGRAM

Meter(s)



# 2016 BRUTE FORCE® 750 4x4i EPS



## PARTS LIST

Meter(s)

ITEM NAME	PART NUMBER	QUANTITY
-----------	-------------	----------

---