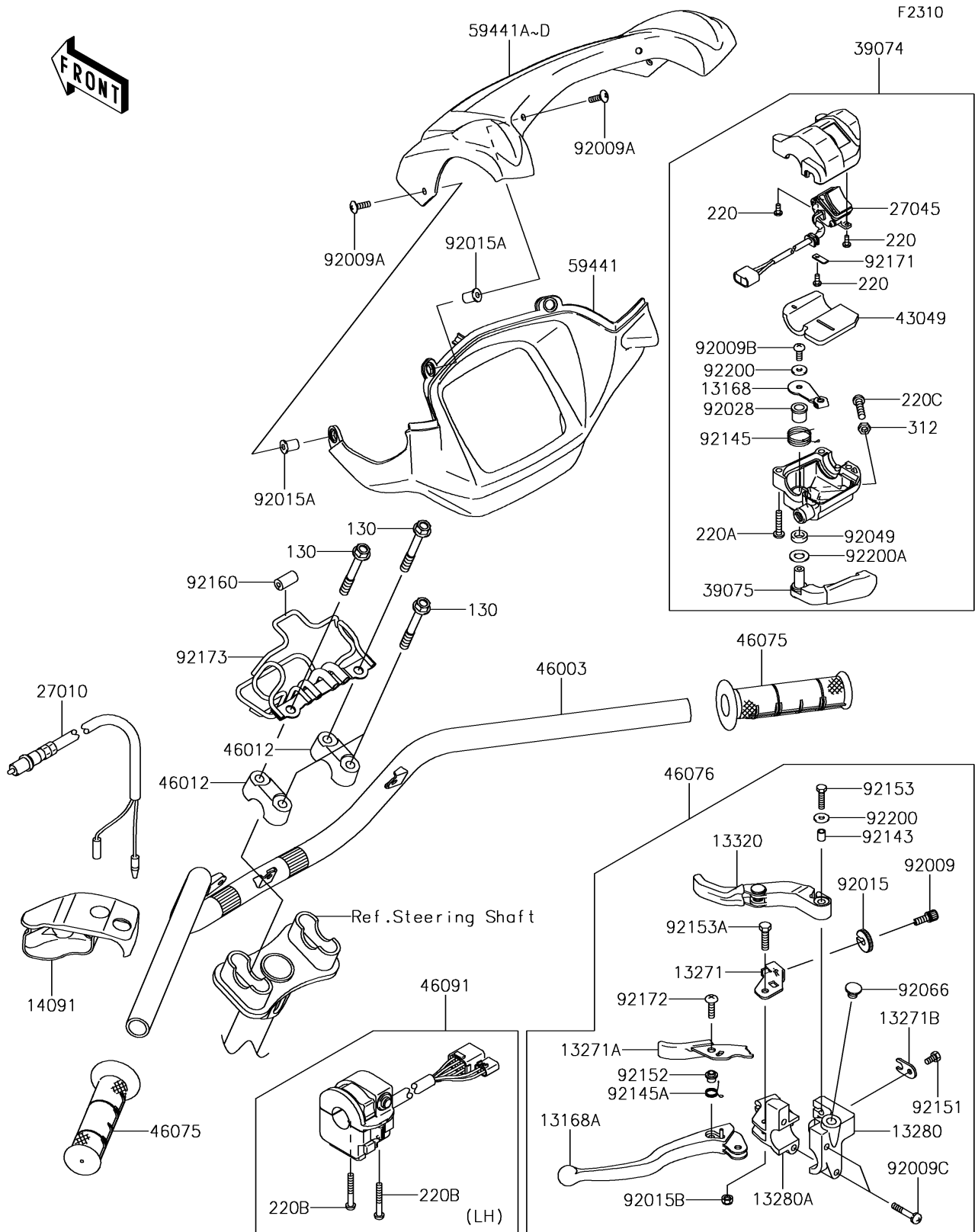


# 2016 BRUTE FORCE® 750 4x4i EPS

## PARTS DIAGRAM

### Handlebar



# 2016 BRUTE FORCE® 750 4x4i EPS



## PARTS LIST

### Handlebar

ITEM NAME	PART NUMBER	QUANTITY
-----------	-------------	----------

---