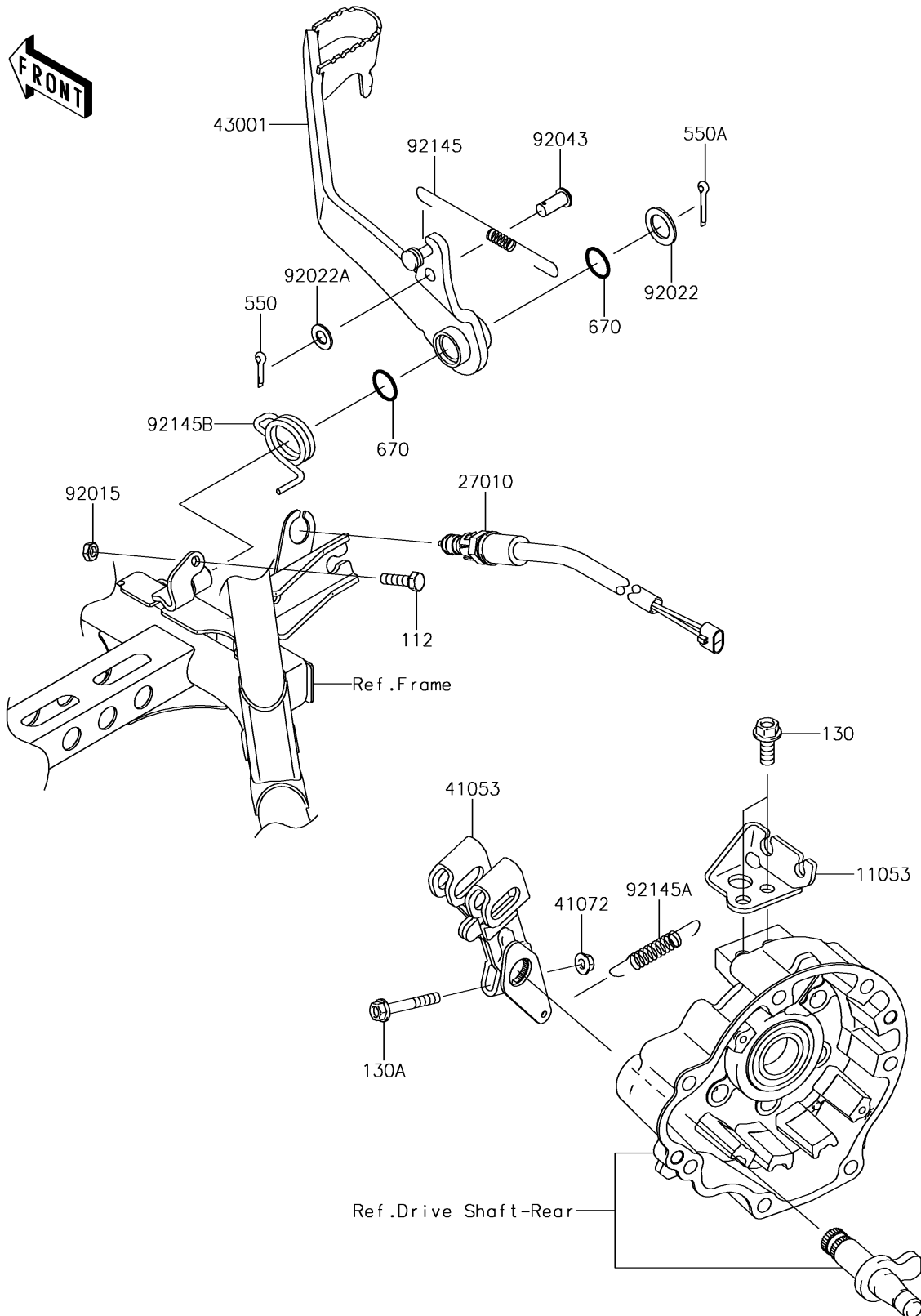


2019 BRUTE FORCE® 750 4x4i EPS

PARTS DIAGRAM

Brake Pedal

F2260



2019 BRUTE FORCE® 750 4x4i EPS

PARTS LIST

Brake Pedal

| ITEM NAME | PART NUMBER | QUANTITY |
|--|-------------|----------|
| BRACKET,BRAKE CABLE (Ref # 11053) | 11053-0642 | 1 |
| SWITCH,BRAKE (Ref # 27010) | 27010-1494 | 1 |
| LEVER-BRAKE CAM (Ref # 41053) | 41053-0017 | 1 |
| NUT,6MM (Ref # 41072) | 41072-007 | 1 |
| LEVER-BRAKE,PEDAL (Ref # 43001) | 43001-0092 | 1 |
| NUT,6MM (Ref # 92015) | 92015-1410 | 1 |
| WASHER,15.5X24X1.6 (Ref # 92022) | 92022-1049 | 1 |
| WASHER,8.5X16X1.2 (Ref # 92022A) | 92022-1582 | 1 |
| PIN,8X16 (Ref # 92043) | 92043-1013 | 1 |
| SPRING,REAR BRAKE SWITCH (Ref # 92145) | 92145-0144 | 1 |
| SPRING,BRAKE LEVER RETURN (Ref # 92145A) | 92145-1313 | 1 |
| SPRING,BRAKE PEDAL RETURN (Ref # 92145B) | 92145-1421 | 1 |
| BOLT-UPSET,6X22 (Ref # 112) | 112AA0622 | 1 |
| BOLT-FLANGED,8X20 (Ref # 130) | 130BA0820 | 2 |
| BOLT-FLANGED,6X40 (Ref # 130A) | 130CA0640 | 1 |
| PIN-COTTER,2.0X15 (Ref # 550) | 550AA2015 | 1 |
| PIN-COTTER,2.0X22 (Ref # 550A) | 550AA2022 | 1 |
| O RING,15MM (Ref # 670) | 670B2015 | 2 |