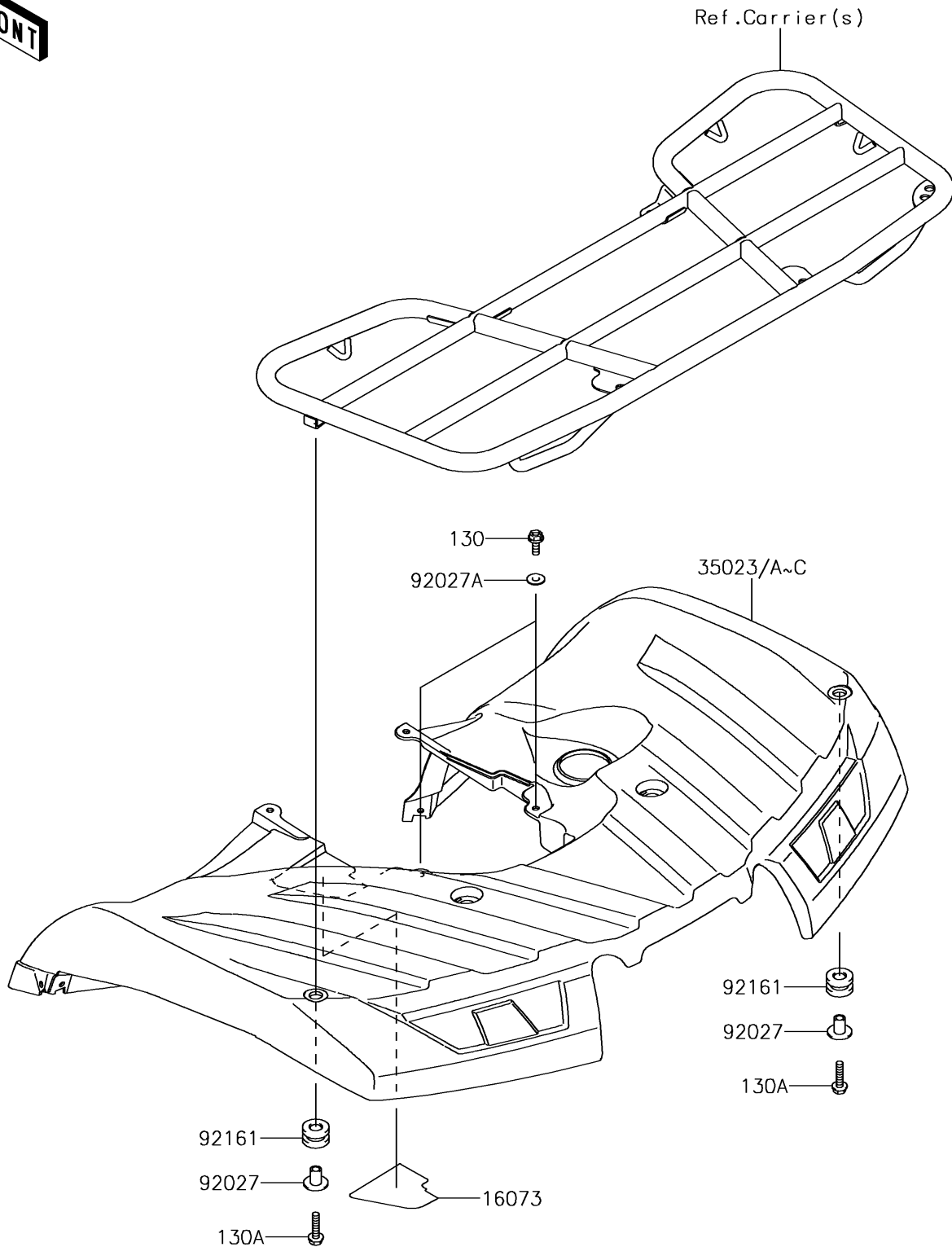


2017 BRUTE FORCE® 750 4x4i EPS

PARTS DIAGRAM

Rear Fender(s)

F2172



2017 BRUTE FORCE® 750 4x4i EPS

PARTS LIST

Rear Fender(s)

ITEM NAME	PART NUMBER	QUANTITY
INSULATOR (Ref # 16073)	16073-0806	1
FENDER-REAR,C.L.GREEN (Ref # 35023B)	35023-0313-57A	1
COLLAR,L=16.1 (Ref # 92027)	92027-1847	2
COLLAR (Ref # 92027A)	92027-4020	2
DAMPER (Ref # 92161)	92161-0106	2
BOLT-FLANGED,6X16 (Ref # 130)	130BA0616	2
BOLT-FLANGED,6X25 (Ref # 130A)	130BA0625	2