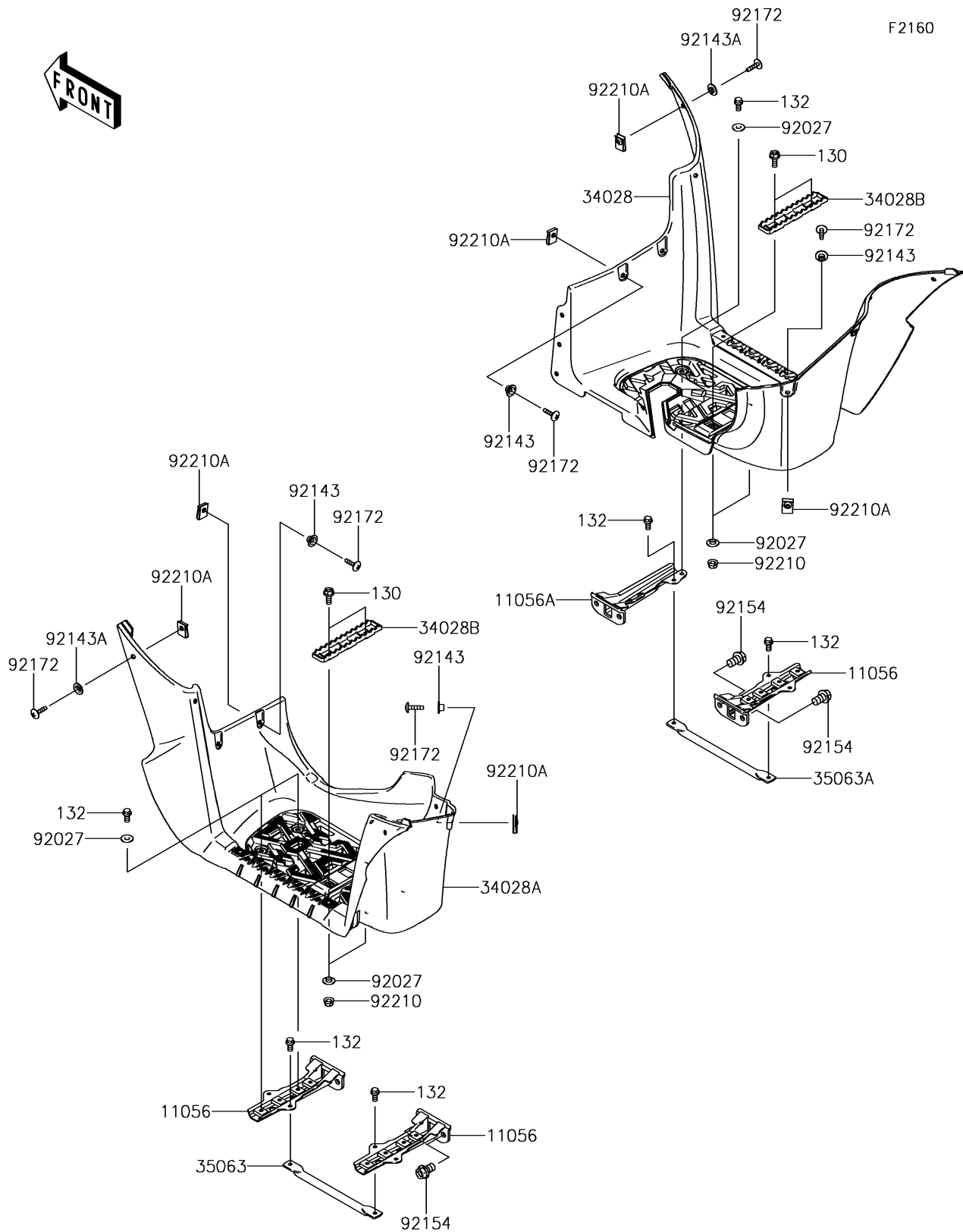


2018 BRUTE FORCE® 750 4x4i EPS

PARTS DIAGRAM

Footrests



F2160

2018 BRUTE FORCE® 750 4x4i EPS

Kawasaki
Let the Good Times Roll®

PARTS LIST

Footrests

| ITEM NAME | PART NUMBER | QUANTITY |
|---|---------------|----------|
| BRACKET,FOOT BOARD (Ref # 11056) | 11056-1036 | 3 |
| BRACKET,FOOT BOARD (Ref # 11056A) | 11056-1037 | 1 |
| STEP,FOOT BOARD,RH,F.BLACK (Ref # 34028) | 34028-0055-6Z | 1 |
| STEP,FOOT BOARD,LH,F.BLACK (Ref # 34028A) | 34028-0146-6Z | 1 |
| STEP,FOOT PEG,F.BLACK (Ref # 34028B) | 34028-1487-21 | 2 |
| STAY,STEP,LH (Ref # 35063) | 35063-0394 | 1 |
| STAY,STEP,RH (Ref # 35063A) | 35063-0395 | 1 |
| COLLAR (Ref # 92027) | 92027-4020 | 11 |
| COLLAR (Ref # 92143) | 92143-1057 | 4 |
| COLLAR (Ref # 92143A) | 92143-1087 | 13 |
| BOLT,FLANGED,10X16 (Ref # 92154) | 92154-0760 | 8 |
| SCREW,TAPPING,6X20 (Ref # 92172) | 92172-0488 | 17 |
| NUT,LOCK,FLANGED,6MM (Ref # 92210) | 92210-0303 | 4 |
| NUT,LEAF SPRING,6MM (Ref # 92210A) | 92210-0624 | 17 |
| BOLT-FLANGED,6X16 (Ref # 130) | 130BA0616 | 4 |
| BOLT-FLANGED-SMALL,6X12 (Ref # 132) | 132BA0612 | 11 |