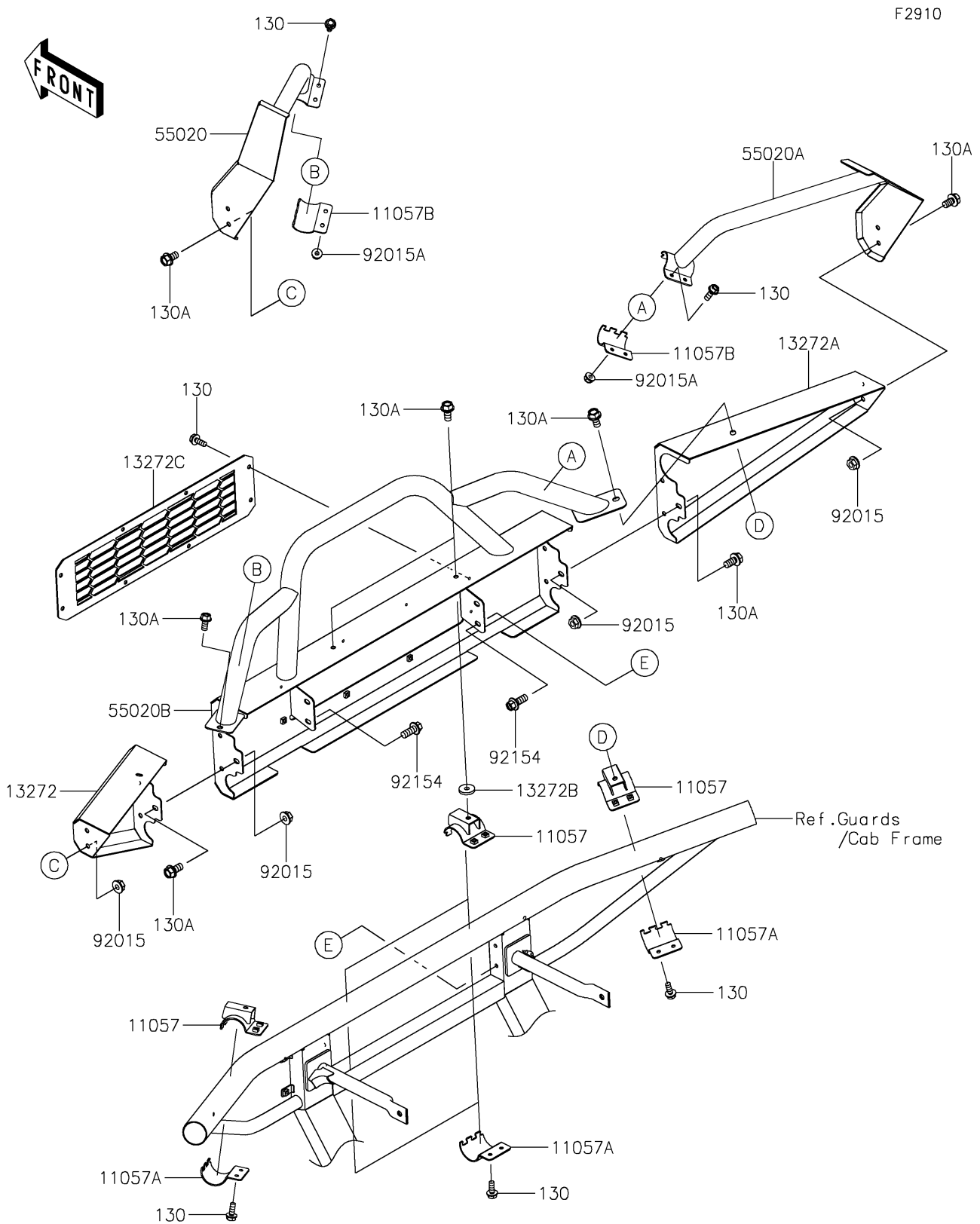


# 2026 MULE PRO-FXT™ 1000 PLATINUM RANCH EDITION

## PARTS DIAGRAM

### Brush Guard



# 2026 MULE PRO-FXT™ 1000 PLATINUM RANCH EDITION



## PARTS LIST

### Brush Guard

ITEM NAME	PART NUMBER	QUANTITY
-----------	-------------	----------

---