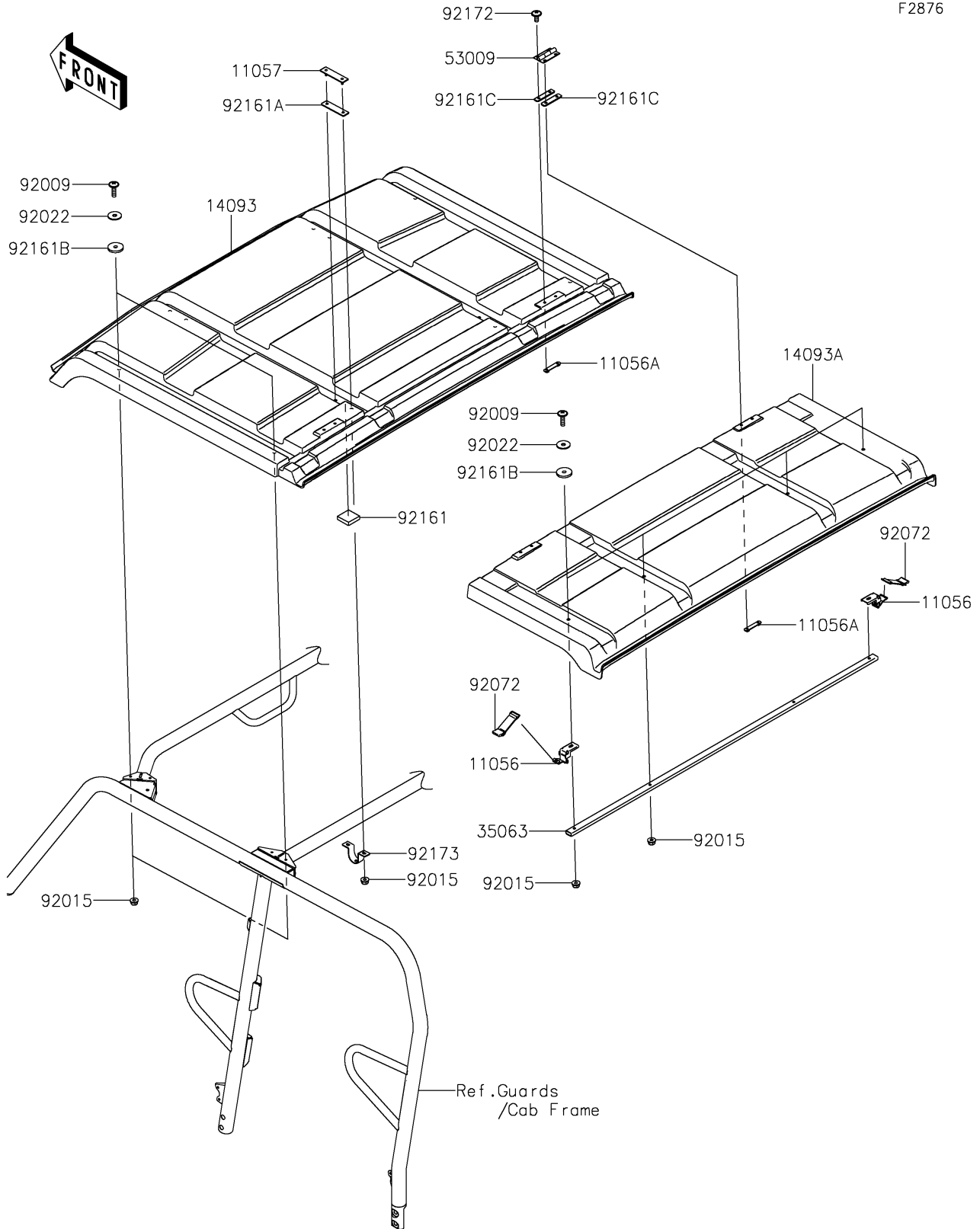


2026 MULE PRO-FXT™ 1000 PLATINUM RANCH EDITION

PARTS DIAGRAM

Sun Top

F2876



2026 MULE PRO-FXT™ 1000 PLATINUM RANCH EDITION



PARTS LIST

Sun Top

ITEM NAME	PART NUMBER	QUANTITY
-----------	-------------	----------
