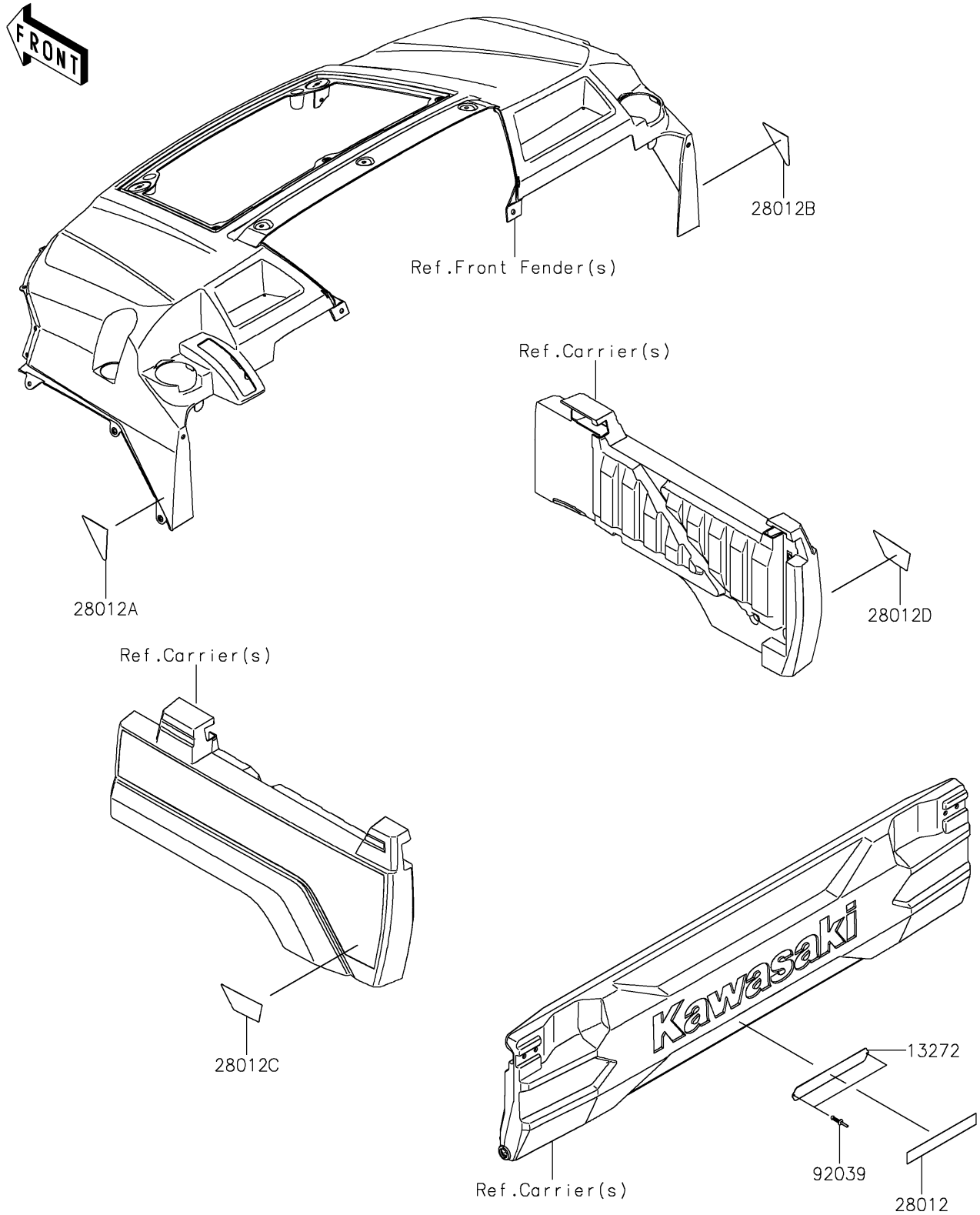


# 2026 MULE PRO-FXT™ 1000 PLATINUM RANCH EDITION

## PARTS DIAGRAM

### Reflectors(DTFNN/DTFNL)

F2790



# 2026 MULE PRO-FXT™ 1000 PLATINUM RANCH EDITION



## PARTS LIST

Reflectors(DTFNN/DTFNL)

**ITEM NAME**

**PART NUMBER**

**QUANTITY**

---