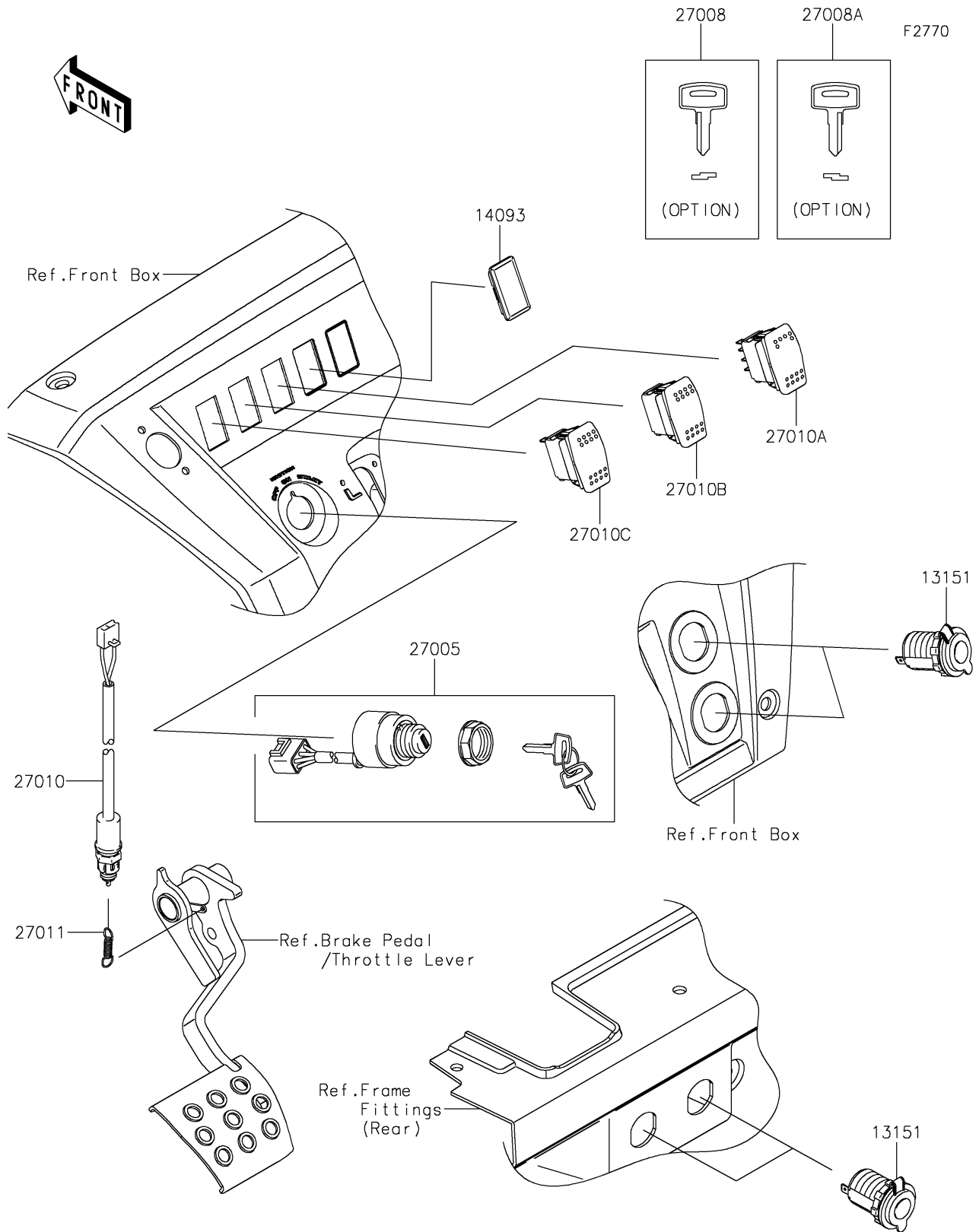


2026 MULE PRO-FXT™ 1000 PLATINUM RANCH EDITION

PARTS DIAGRAM Ignition Switch



2026 MULE PRO-FXT™ 1000 PLATINUM RANCH EDITION



PARTS LIST

Ignition Switch

ITEM NAME	PART NUMBER	QUANTITY
-----------	-------------	----------
