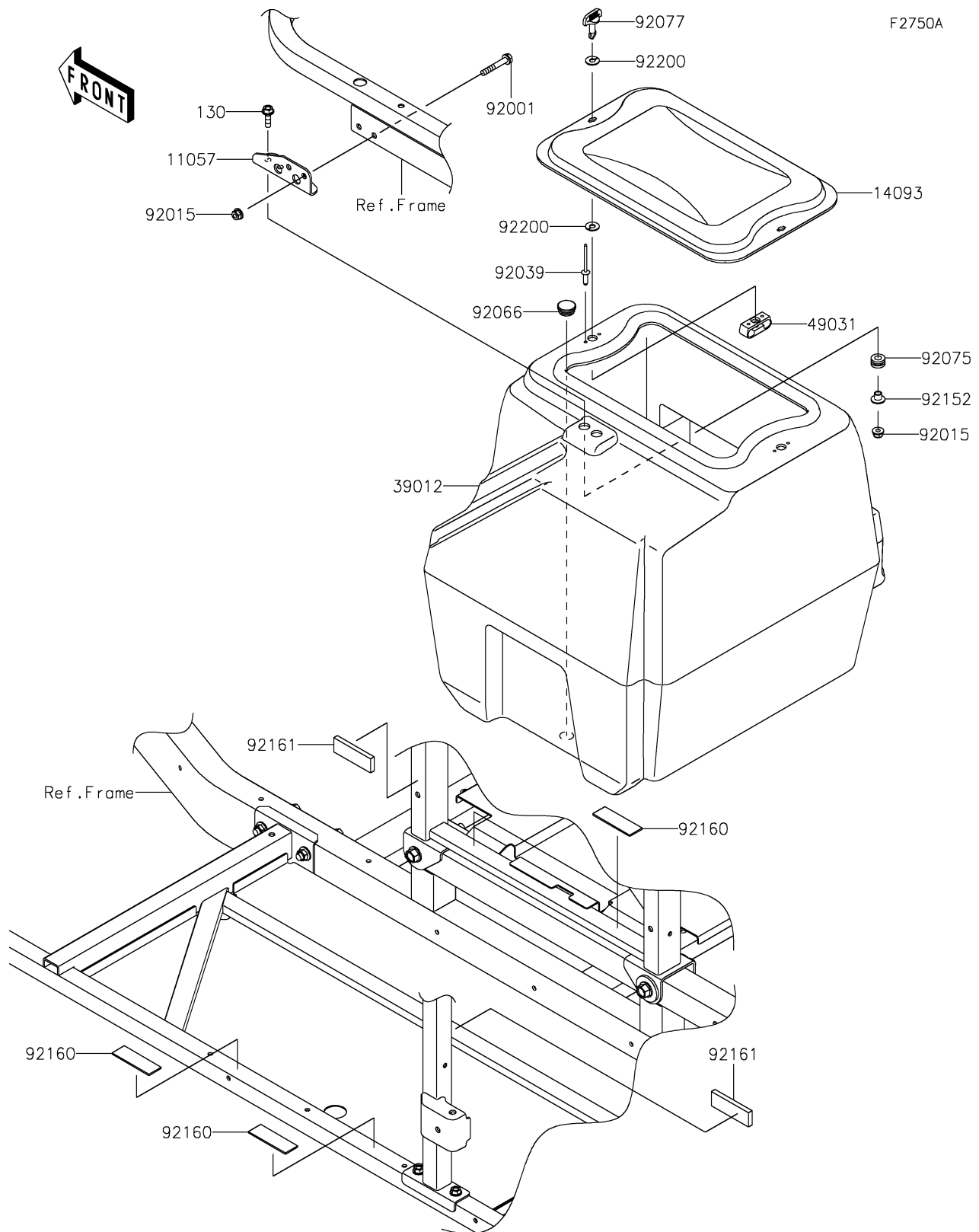


2026 MULE PRO-FXT™ 1000 PLATINUM RANCH EDITION

PARTS DIAGRAM

Other(Storage Case)(DTFNN/DTFNL)



2026 MULE PRO-FXT™ 1000 PLATINUM RANCH EDITION



PARTS LIST

Other(Storage Case)(DTFNN/DTFNL)

ITEM NAME

PART NUMBER

QUANTITY
