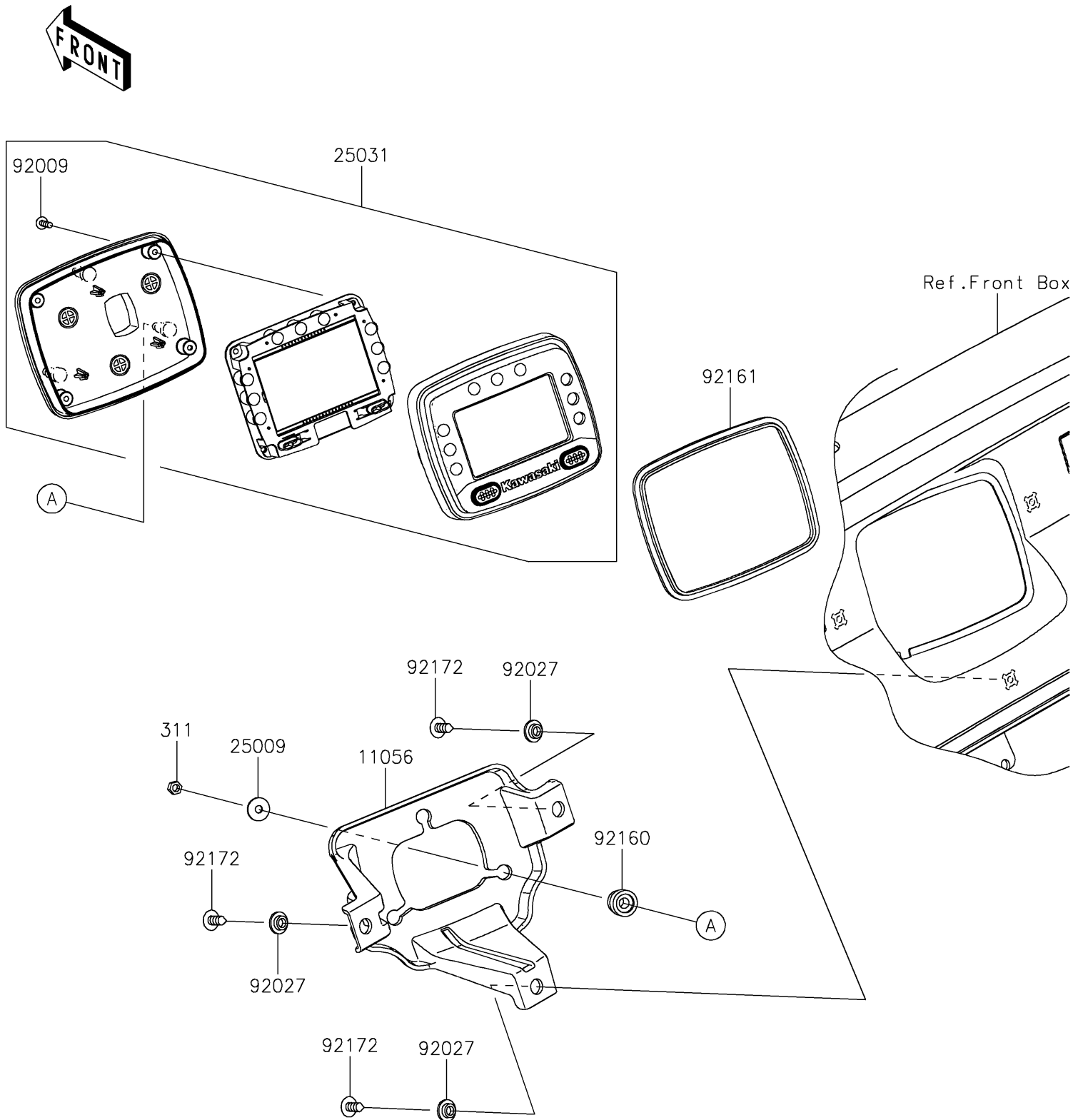


2026 MULE PRO-FXT™ 1000 PLATINUM RANCH EDITION

PARTS DIAGRAM

Meter(s)

F2530



2026 MULE PRO-FXT™ 1000 PLATINUM RANCH EDITION



PARTS LIST

Meter(s)

ITEM NAME	PART NUMBER	QUANTITY
-----------	-------------	----------
