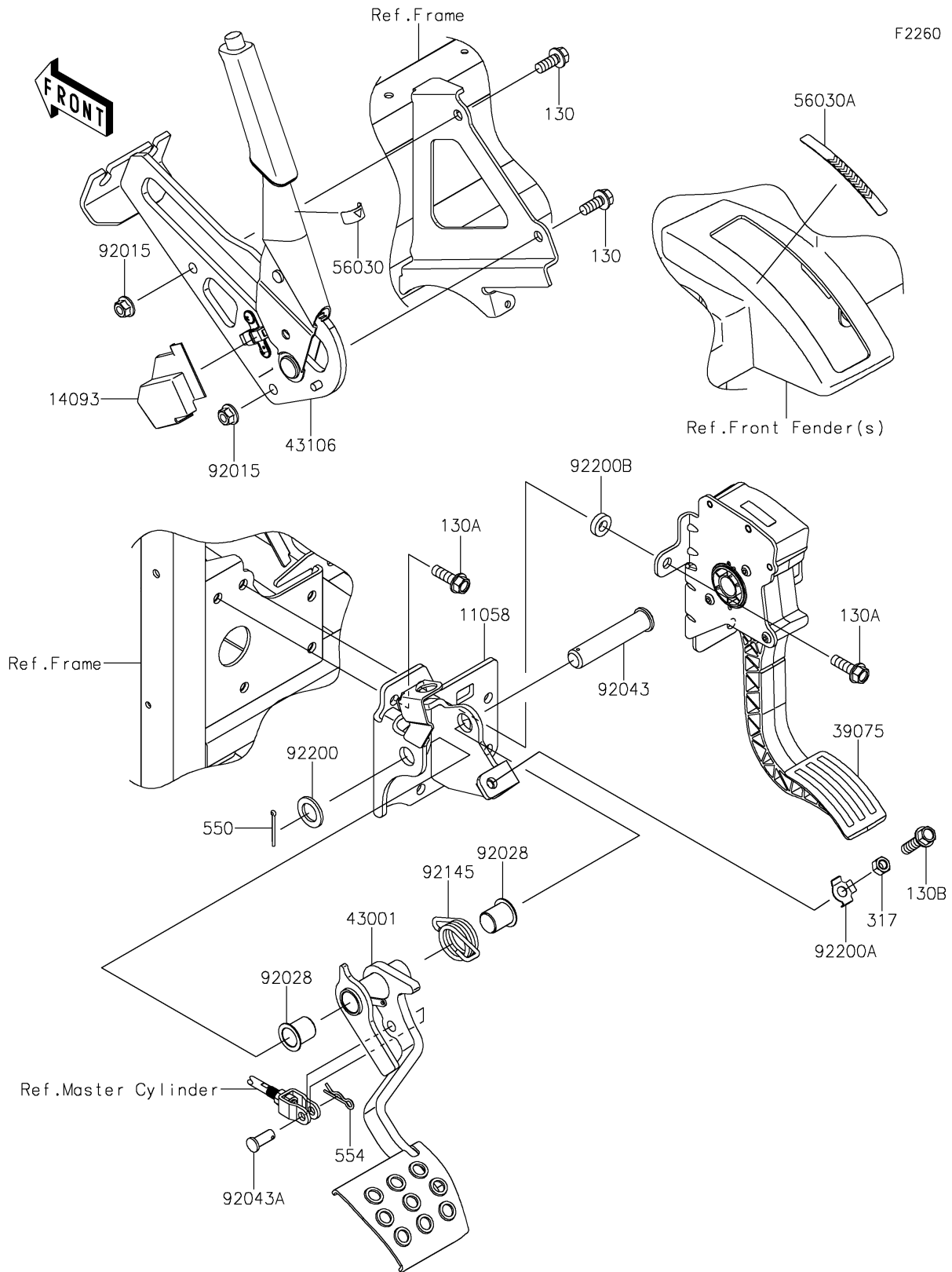


2026 MULE PRO-FXT™ 1000 PLATINUM RANCH EDITION

PARTS DIAGRAM

Brake Pedal/Throttle Lever



2026 MULE PRO-FXT™ 1000 PLATINUM RANCH EDITION



PARTS LIST

Brake Pedal/Throttle Lever

ITEM NAME	PART NUMBER	QUANTITY
-----------	-------------	----------
