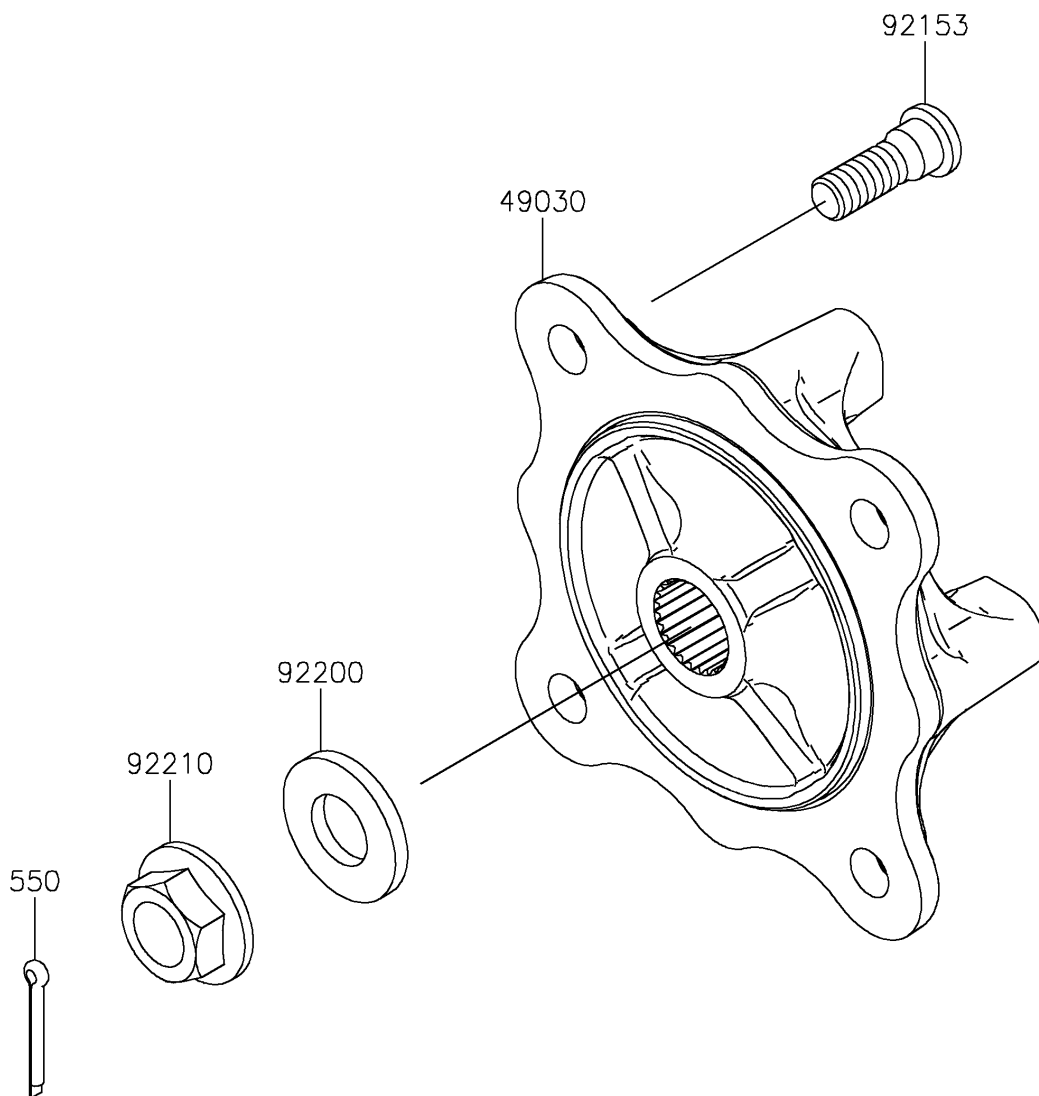


2026 MULE PRO-FXT™ 1000 PLATINUM RANCH EDITION

PARTS DIAGRAM Front Hubs/Brakes

F2230



2026 MULE PRO-FXT™ 1000 PLATINUM RANCH EDITION



PARTS LIST

Front Hubs/Brakes

ITEM NAME	PART NUMBER	QUANTITY
-----------	-------------	----------
