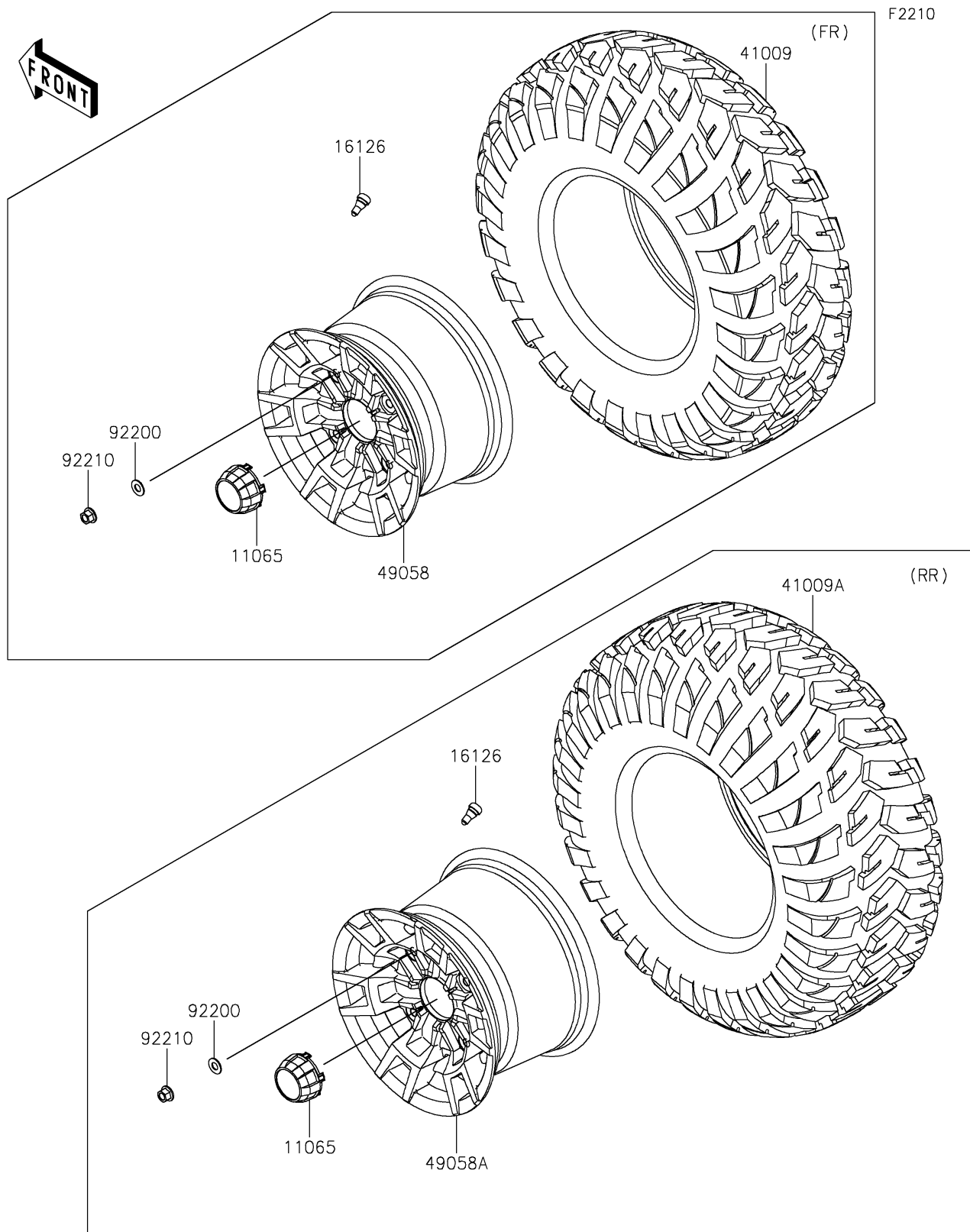


2026 MULE PRO-FXT™ 1000 PLATINUM RANCH EDITION

PARTS DIAGRAM

Wheels/Tires



2026 MULE PRO-FXT™ 1000 PLATINUM RANCH EDITION



PARTS LIST Wheels/Tires

ITEM NAME	PART NUMBER	QUANTITY
-----------	-------------	----------
