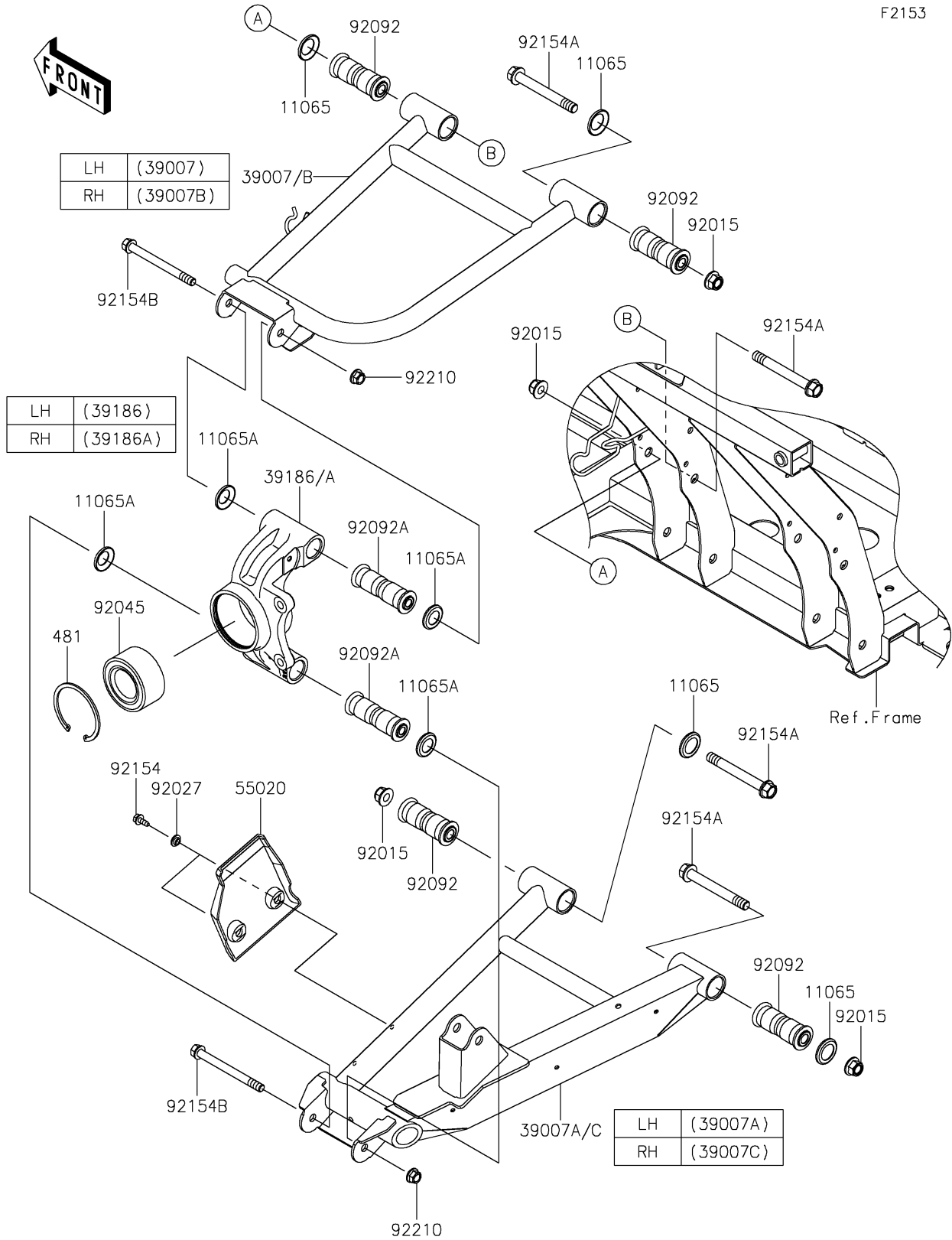


2026 MULE PRO-FXT™ 1000 PLATINUM RANCH EDITION

PARTS DIAGRAM Rear Suspension

F2153



2026 MULE PRO-FXT™ 1000 PLATINUM RANCH EDITION



PARTS LIST

Rear Suspension

ITEM NAME	PART NUMBER	QUANTITY
-----------	-------------	----------
