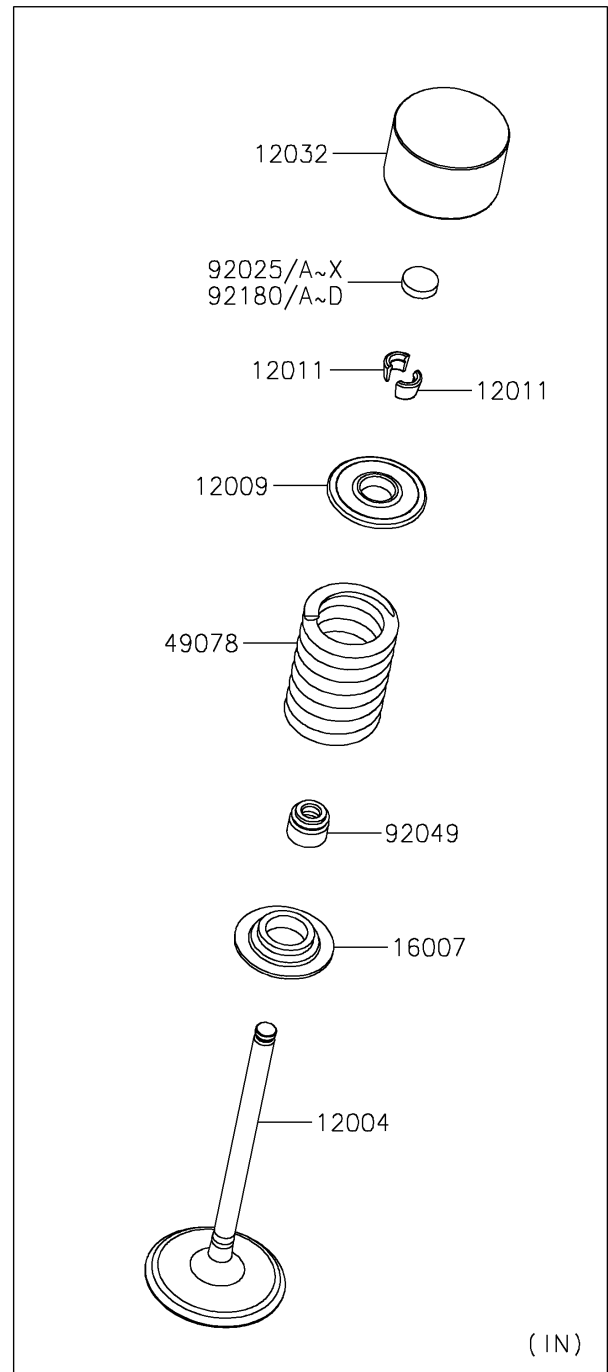
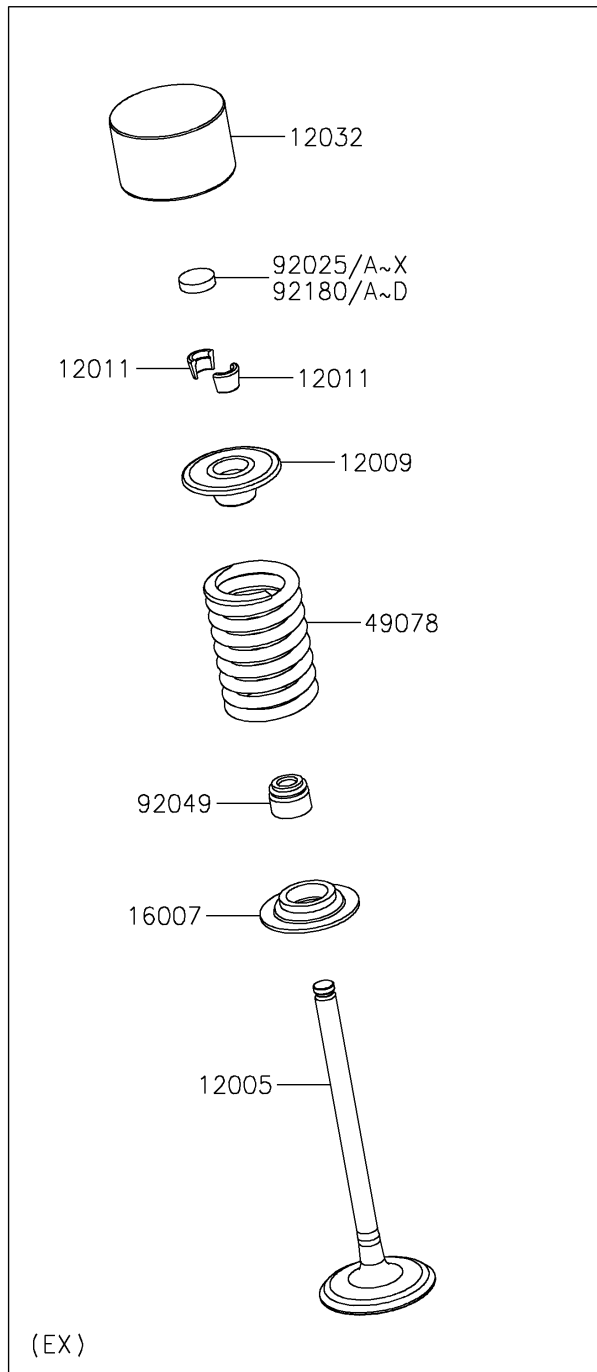


PARTS DIAGRAM

Valve(s)

E1210



2026 MULE PRO-FXT™ 1000 PLATINUM RANCH EDITION



PARTS LIST

Valve(s)

ITEM NAME	PART NUMBER	QUANTITY
-----------	-------------	----------
