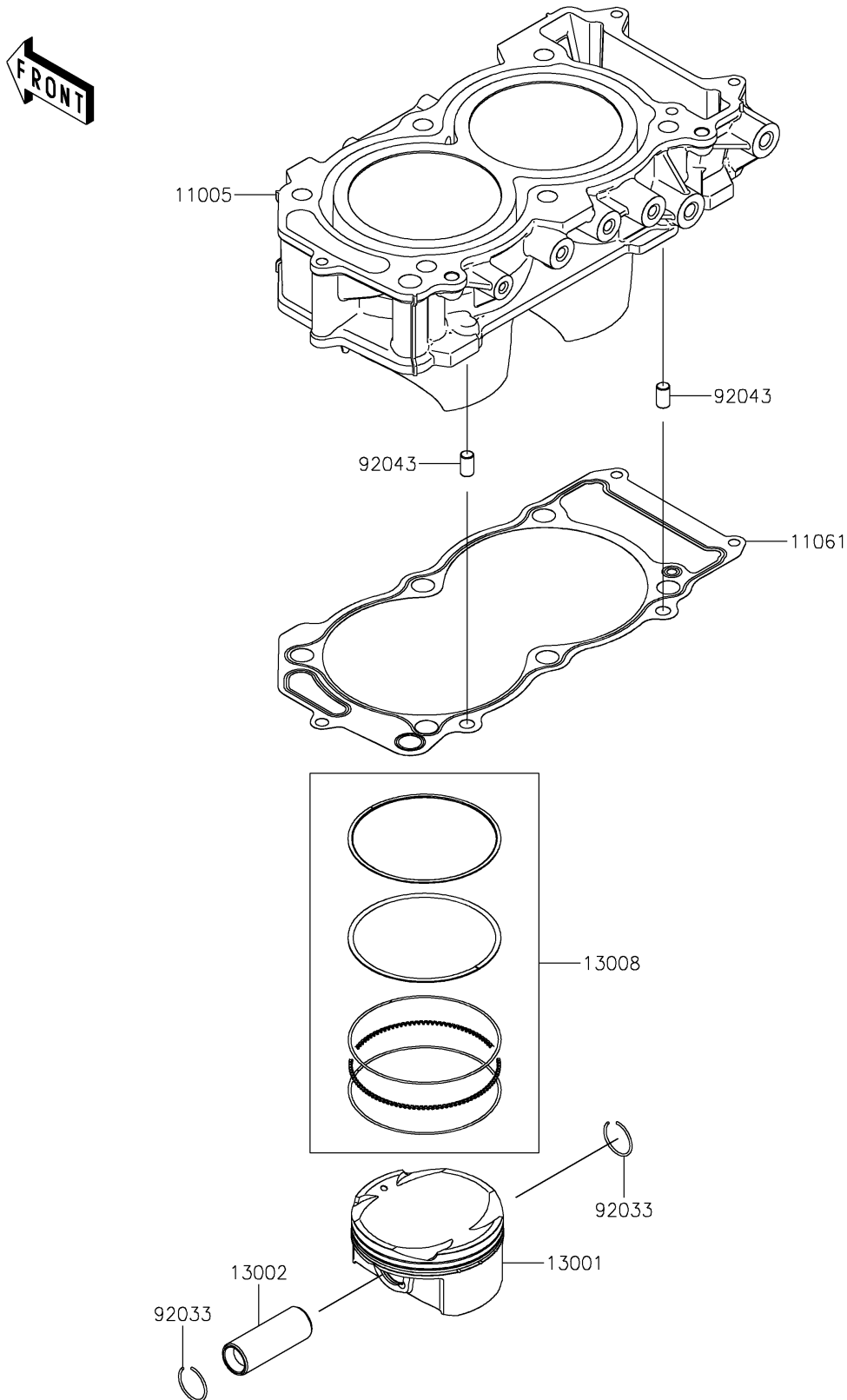


2026 MULE PRO-FXT™ 1000 PLATINUM RANCH EDITION

PARTS DIAGRAM Cylinder/Piston(s)

E1120



2026 MULE PRO-FXT™ 1000 PLATINUM RANCH EDITION



PARTS LIST Cylinder/Piston(s)

ITEM NAME	PART NUMBER	QUANTITY
-----------	-------------	----------
