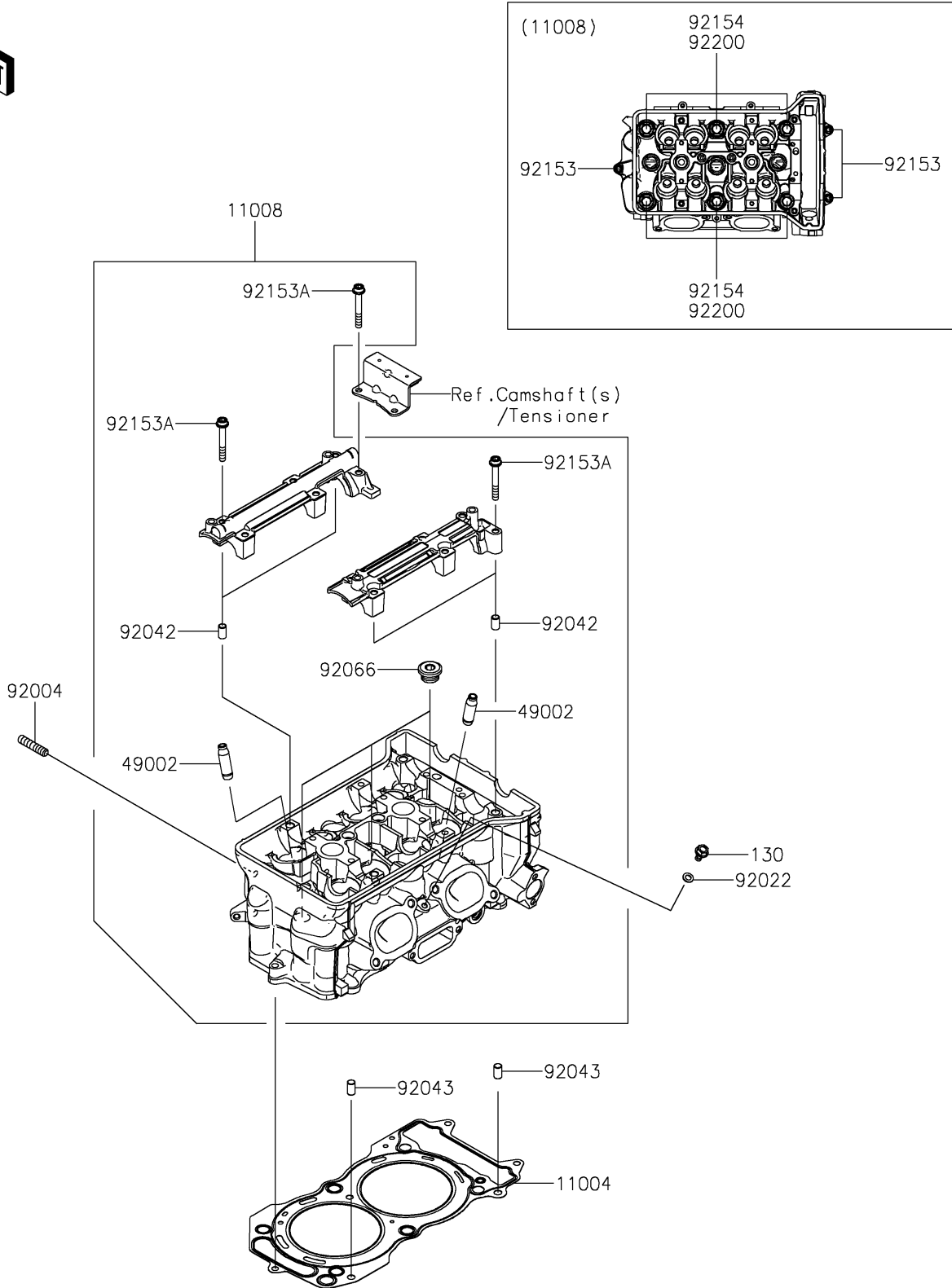


2026 MULE PRO-FXT™ 1000 PLATINUM RANCH EDITION

PARTS DIAGRAM Cylinder Head

E1111



2026 MULE PRO-FXT™ 1000 PLATINUM RANCH EDITION



PARTS LIST Cylinder Head

ITEM NAME	PART NUMBER	QUANTITY
-----------	-------------	----------
