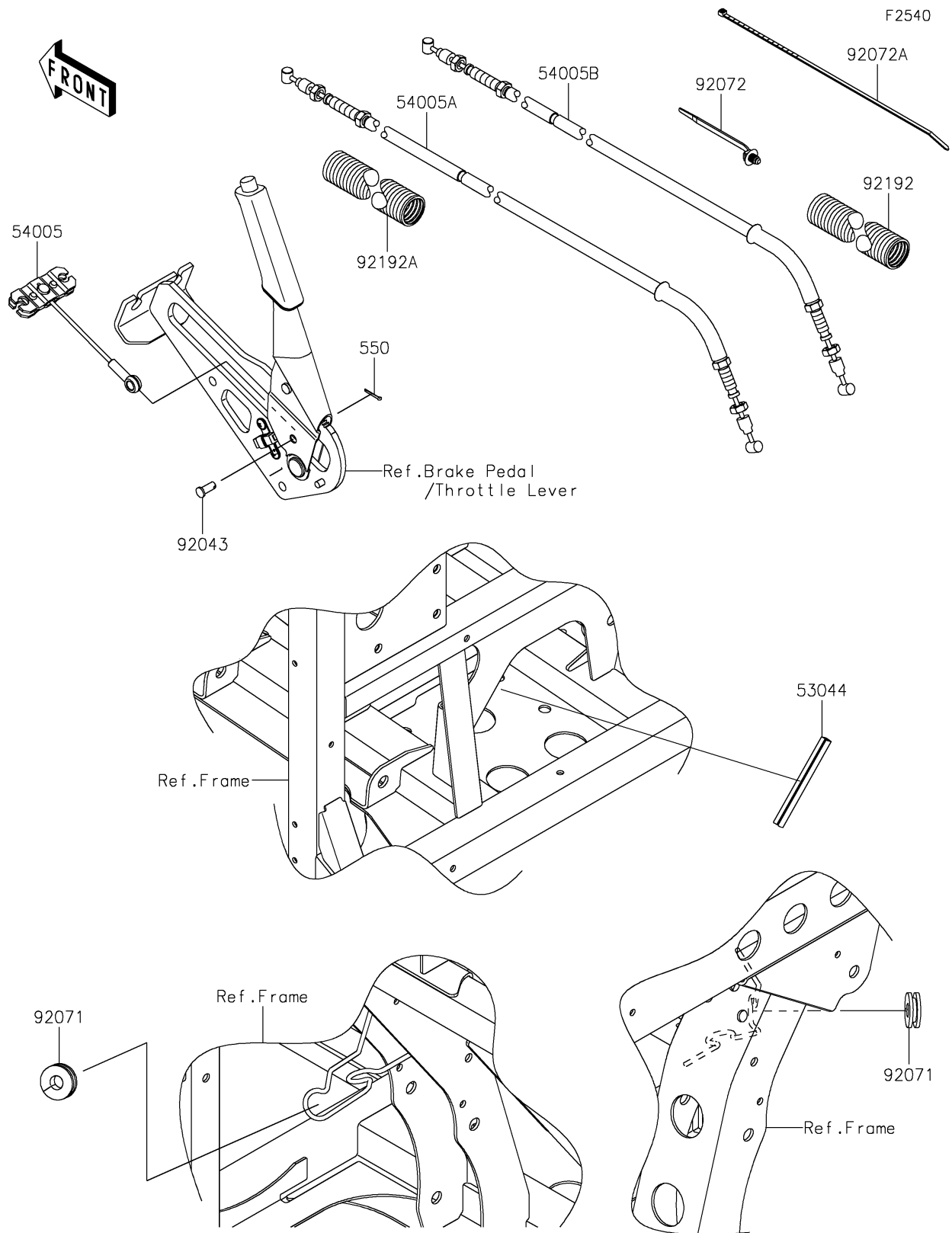


# 2025 MULE PRO-FXR 1000

## PARTS DIAGRAM

### Cables



# 2025 MULE PRO-FXR 1000

## PARTS LIST

### Cables

**ITEM NAME**

**PART NUMBER**

**QUANTITY**

---