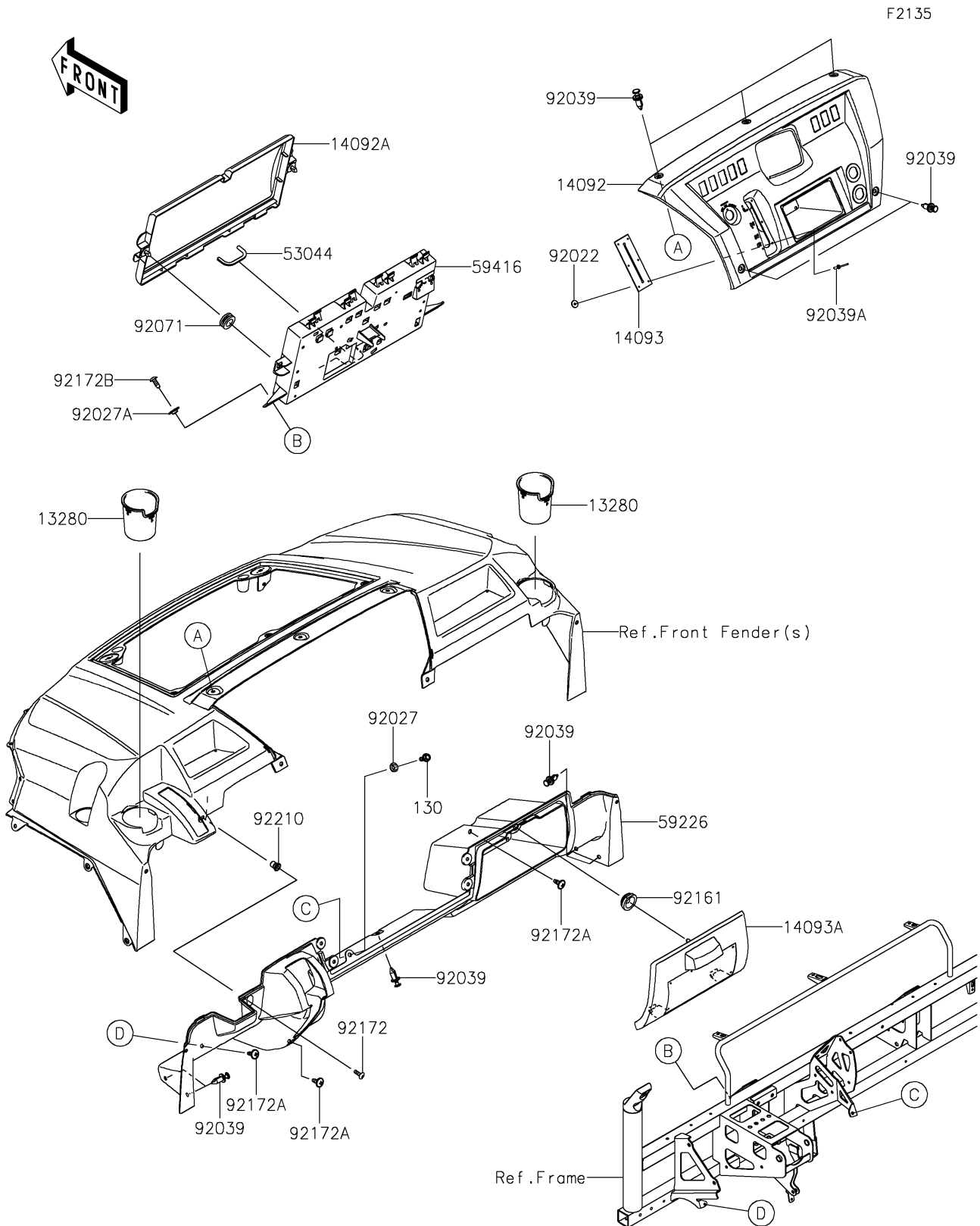


# 2025 MULE PRO-FXR 1000

## PARTS DIAGRAM

### Front Box



# 2025 MULE PRO-FXR 1000

## PARTS LIST

Front Box

**ITEM NAME**

**PART NUMBER**

**QUANTITY**

---