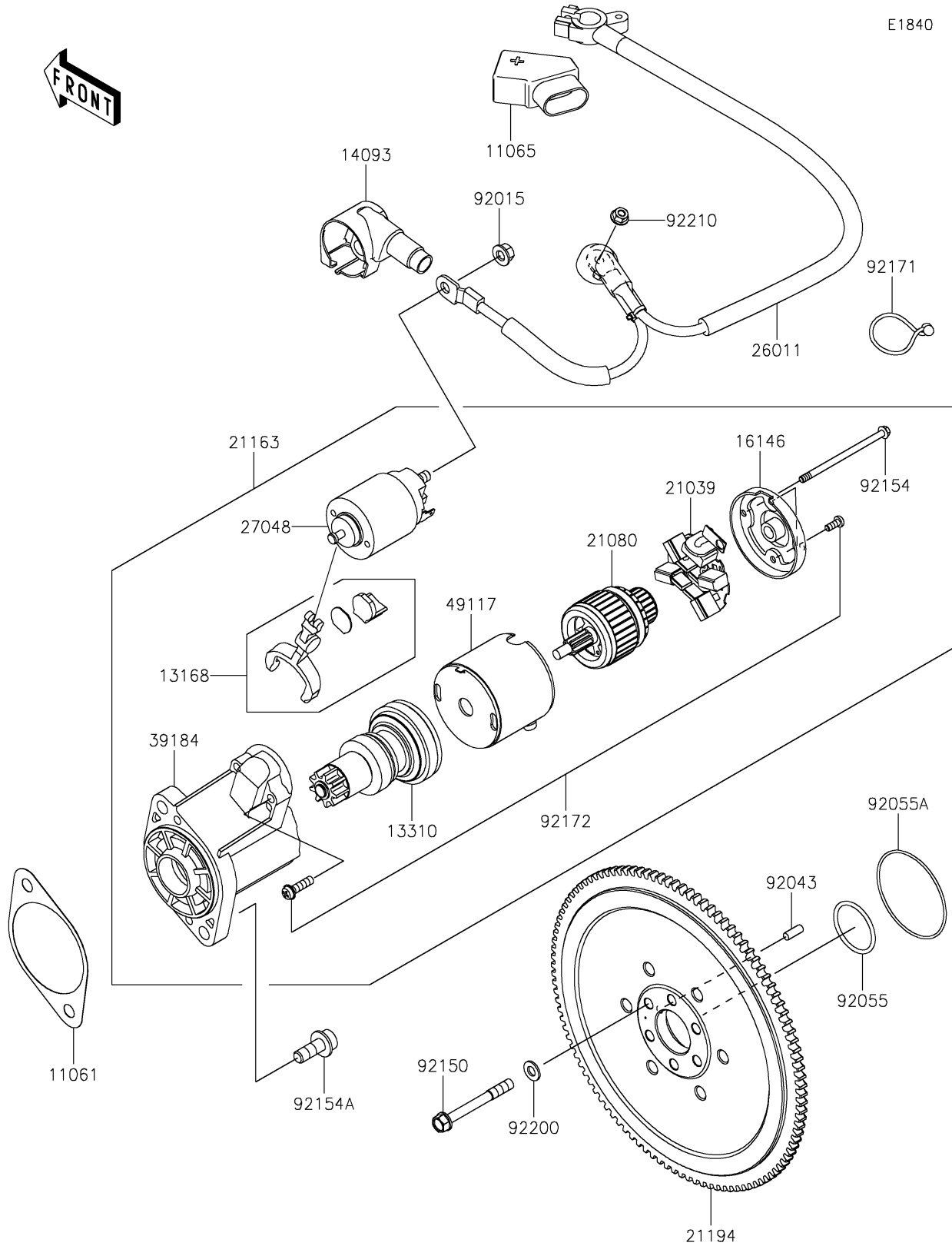


2025 MULE PRO-FXR 1000

PARTS DIAGRAM

Starter Motor



2025 MULE PRO-FXR 1000

PARTS LIST

Starter Motor

| ITEM NAME | PART NUMBER | QUANTITY |
|---|-------------|----------|
| GASKET,STARTER (Ref # 11061) | 11061-1463 | 1 |
| CAP (Ref # 11065) | 11065-0850 | 1 |
| LEVER (Ref # 13168) | 13168-0935 | 1 |
| SHAFT-ASSY (Ref # 13310) | 13310-0577 | 1 |
| COVER,STARTER LEAD WIRE (Ref # 14093) | 14093-1523 | 1 |
| COVER-ASSY (Ref # 16146) | 16146-0733 | 1 |
| BRUSH (Ref # 21039) | 21039-0015 | 1 |
| ARMATURE (Ref # 21080) | 21080-0015 | 1 |
| STARTER-ELECTRIC (Ref # 21163) | 21163-0805 | 1 |
| FLYWHEEL-COMP (Ref # 21194) | 21194-0725 | 1 |
| WIRE-LEAD,BATTERY-GENERATOR (Ref # 26011) | 26011-2461 | 1 |
| SWITCH-ASSY (Ref # 27048) | 27048-0059 | 1 |
| BRACKET-ASSY (Ref # 39184) | 39184-0747 | 1 |
| YOKE (Ref # 49117) | 49117-0610 | 1 |
| NUT,8MM (Ref # 92015) | 92015-1402 | 1 |
| PIN,6X16 (Ref # 92043) | 92043-1690 | 1 |
| RING-O,35.8X3.0 (Ref # 92055) | 92055-1005 | 1 |
| RING-O,70.2X74.0X1.90 (Ref # 92055A) | 92055-1672 | 1 |
| BOLT,8X70 (Ref # 92150) | 92150-1483 | 6 |
| BOLT,STARTER (Ref # 92154) | 92154-7040 | 2 |
| BOLT,SOCKET,10X25 (Ref # 92154A) | 92154-7070 | 2 |
| CLAMP (Ref # 92171) | 92171-1185 | 1 |
| SCREW (Ref # 92172) | 92172-0770 | 1 |
| WASHER,8.2X16X1.6 (Ref # 92200) | 92200-0047 | 6 |
| NUT,6MM (Ref # 92210) | 92210-0188 | 1 |