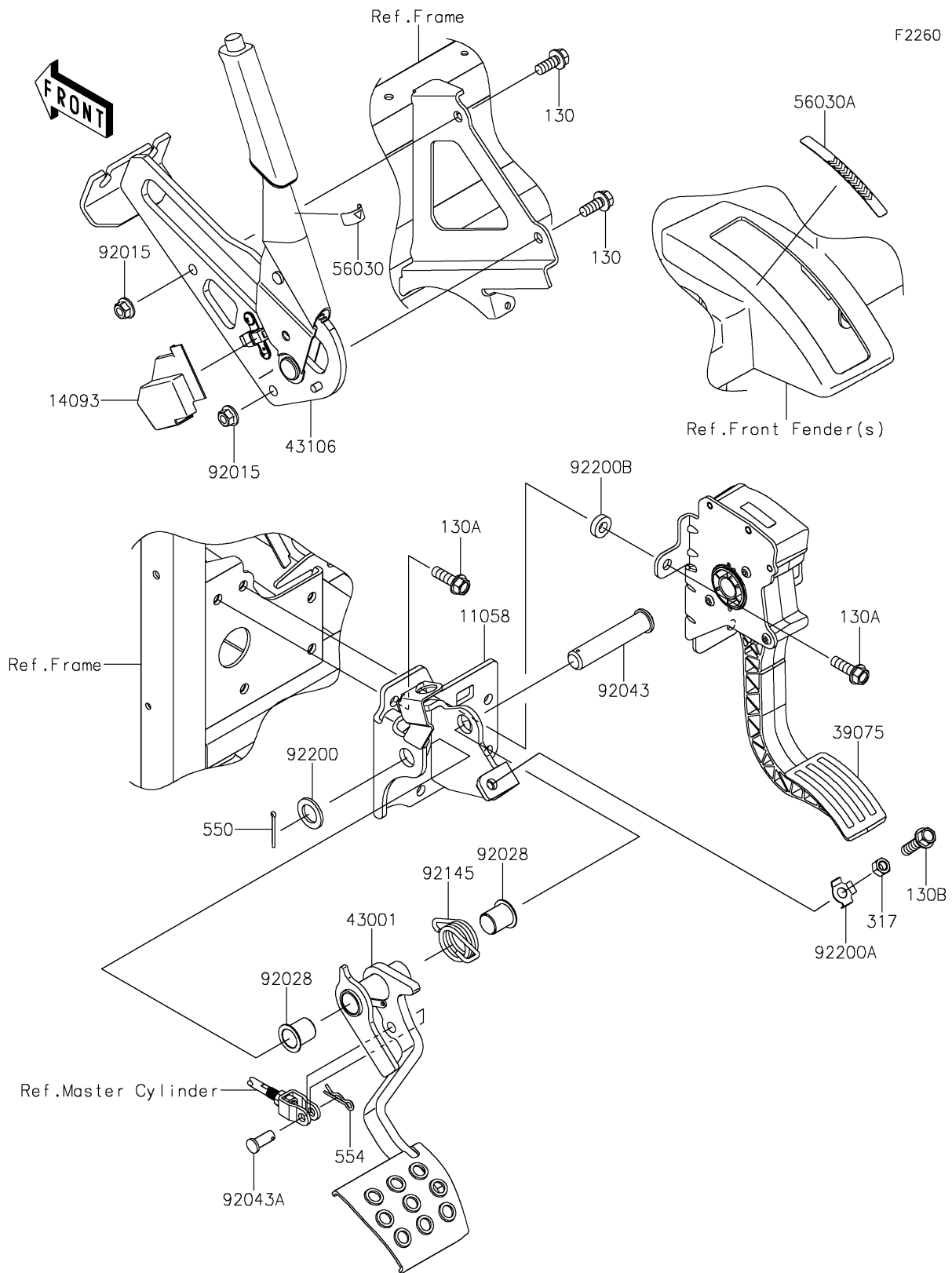


# 2024 MULE PRO-FXT™ 1000 LE

## PARTS DIAGRAM

### Brake Pedal/Throttle Lever



# 2024 MULE PRO-FXT™ 1000 LE

## PARTS LIST

Brake Pedal/Throttle Lever

ITEM NAME	PART NUMBER	QUANTITY
-----------	-------------	----------

---