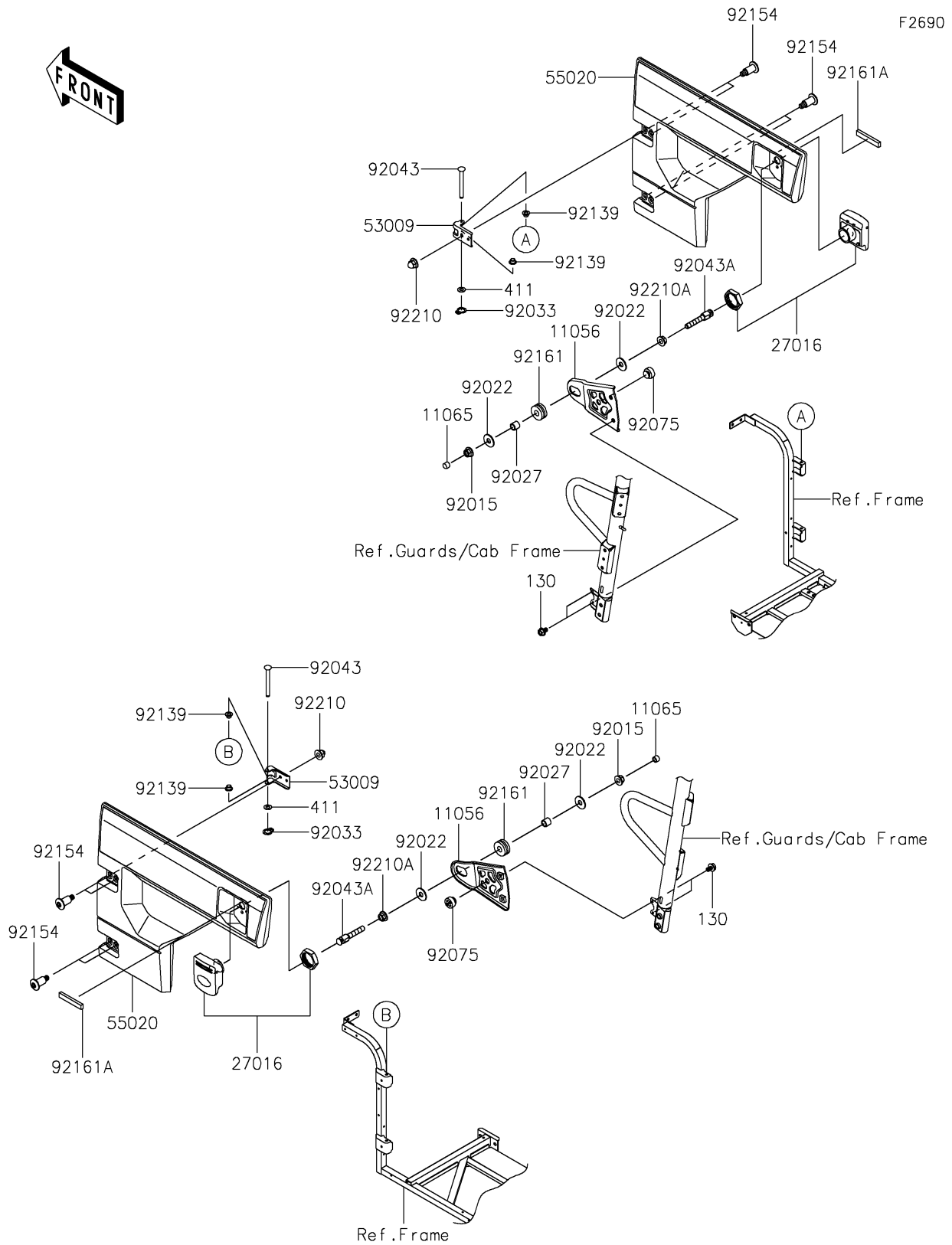


# 2024 MULE PRO-FXR™ 1000 LE

## PARTS DIAGRAM

### Door



# 2024 MULE PRO-FXR™ 1000 LE



## PARTS LIST

Door

ITEM NAME	PART NUMBER	QUANTITY
-----------	-------------	----------

---