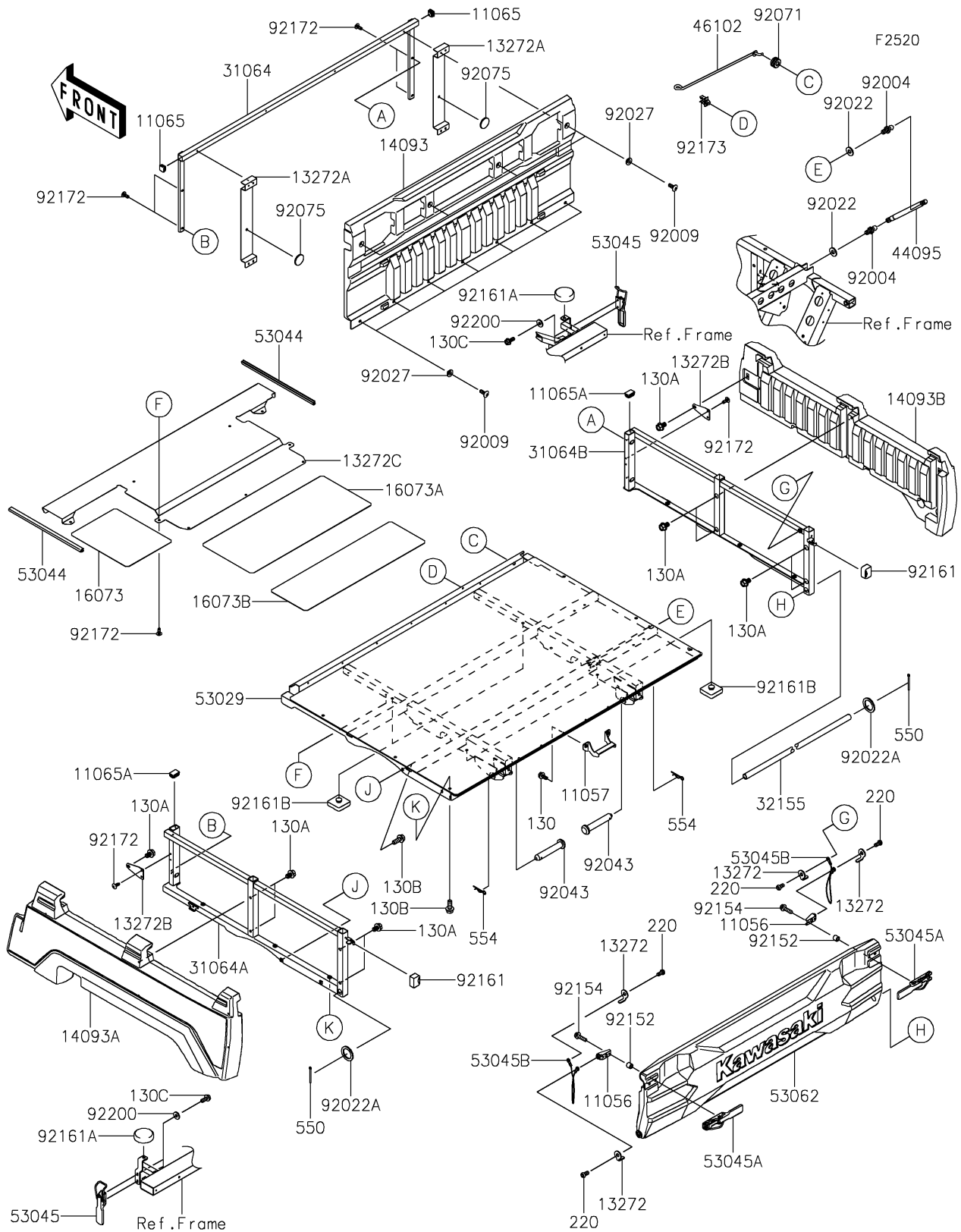


# 2025 MULE PRO-FXR 1000 LE

## PARTS DIAGRAM

Carrier(s)



# 2025 MULE PRO-FXR 1000 LE

## PARTS LIST

Carrier(s)

**ITEM NAME**

**PART NUMBER**

**QUANTITY**

---