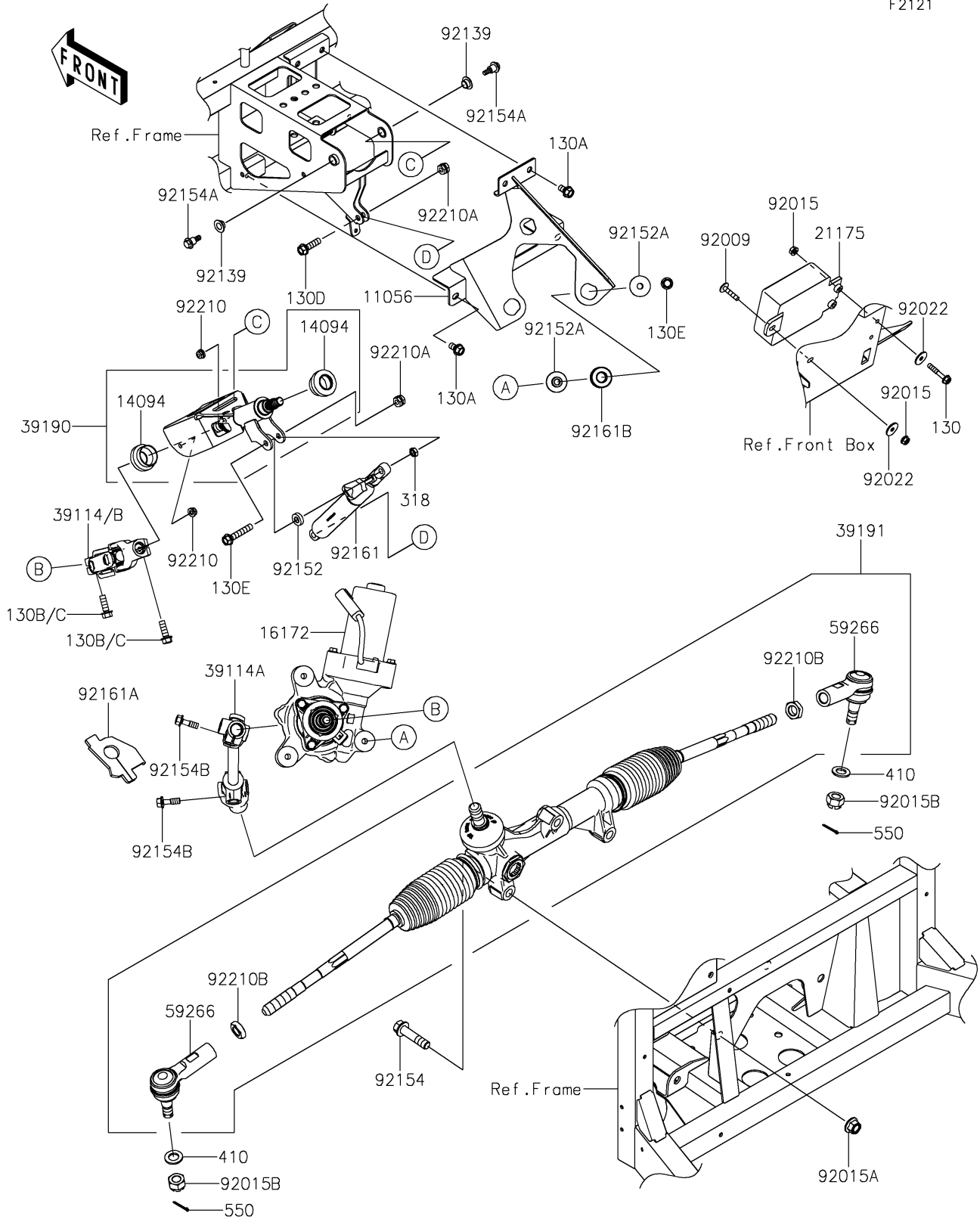


# 2024 MULE PRO-FXR™ 1000 LE

## PARTS DIAGRAM

### Steering Shaft

F2121



# 2024 MULE PRO-FXR™ 1000 LE

## PARTS LIST

### Steering Shaft

ITEM NAME	PART NUMBER	QUANTITY
-----------	-------------	----------

---