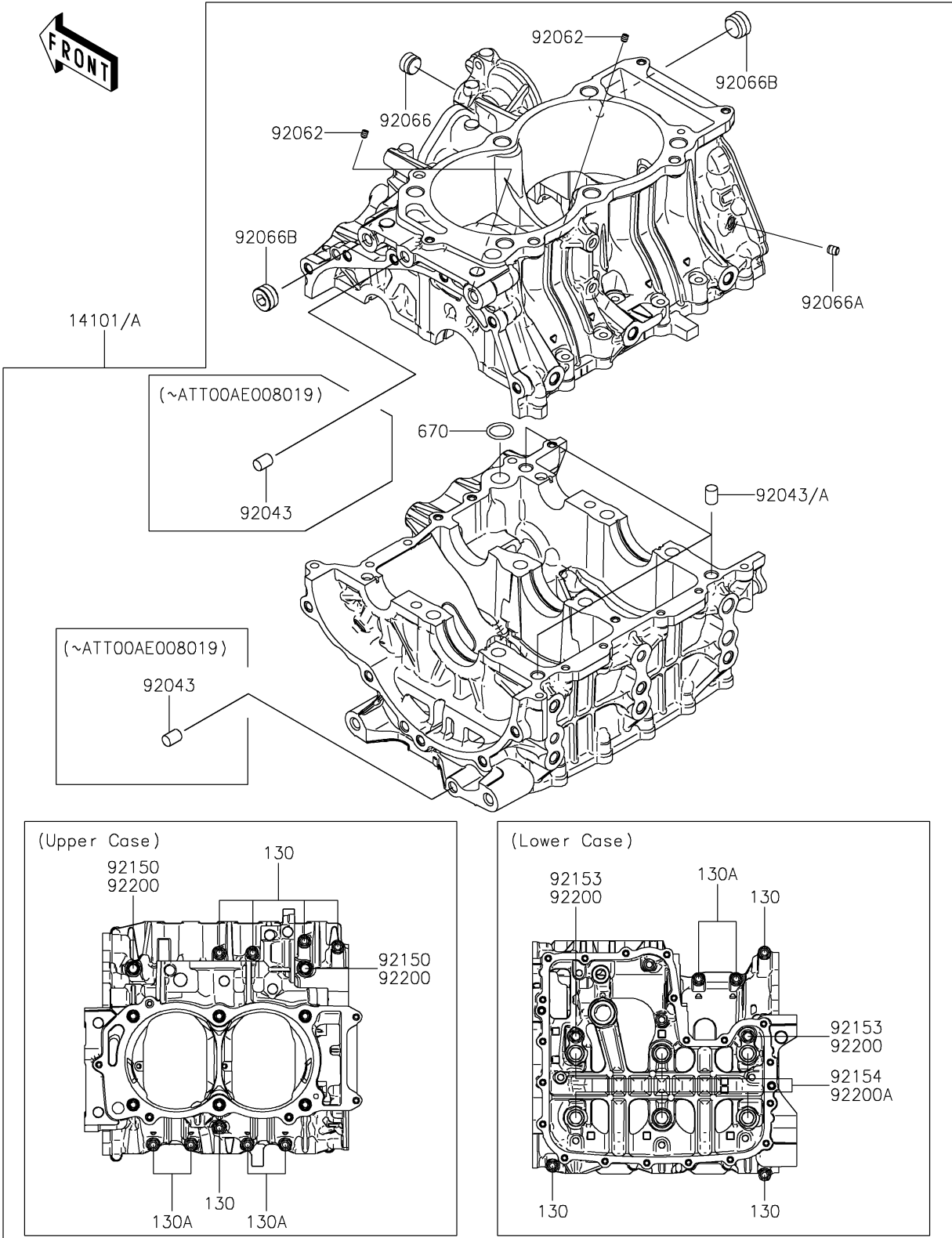


# 2025 MULE PRO-FXR 1000 LE

## PARTS DIAGRAM

### Crankcase

E1411



# 2025 MULE PRO-FXR 1000 LE

## PARTS LIST

### Crankcase

ITEM NAME	PART NUMBER	QUANTITY
-----------	-------------	----------

---