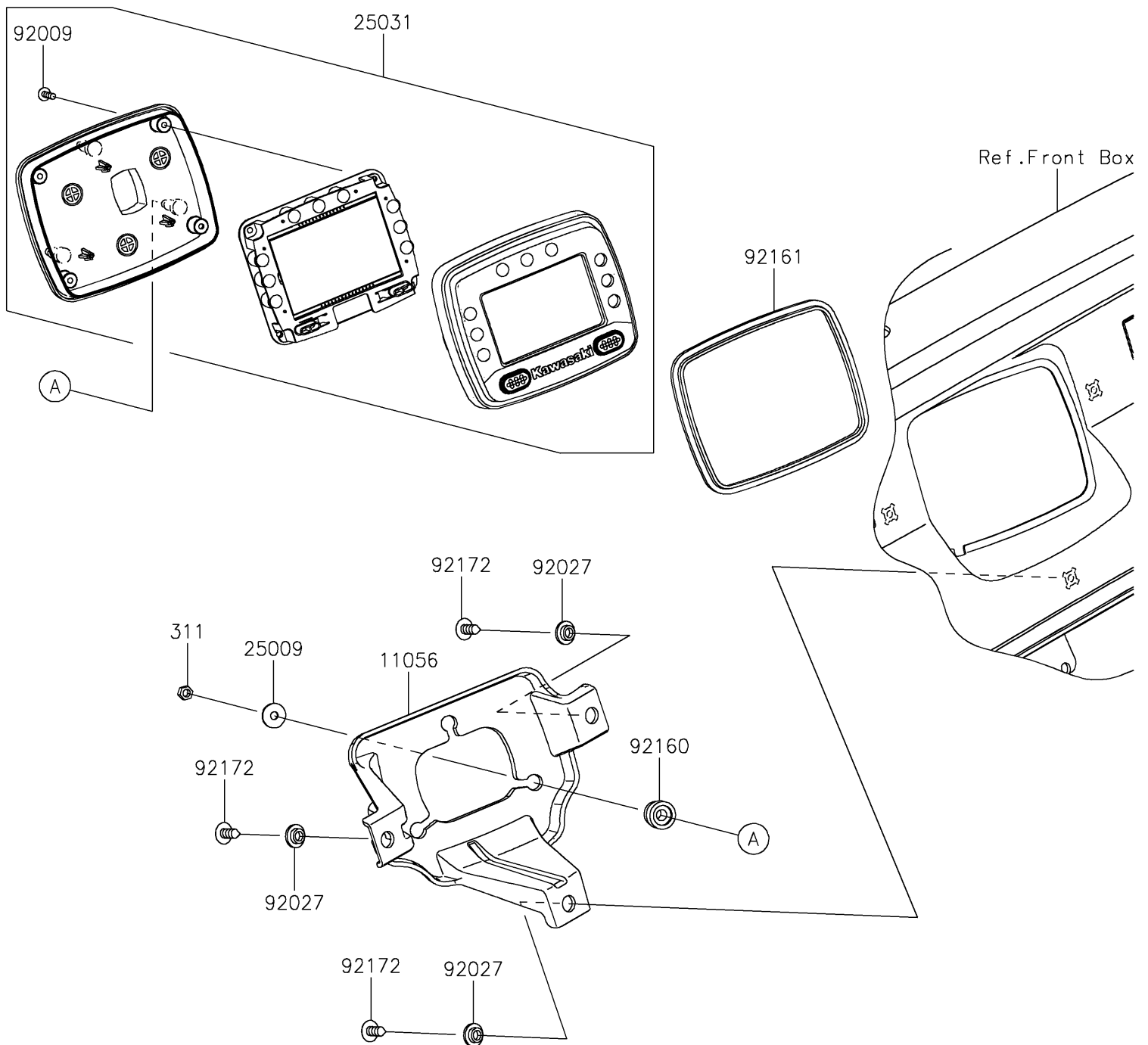


# 2026 MULE PRO-FXR™ 1000

## PARTS DIAGRAM

Meter(s)

F2530



# 2026 MULE PRO-FXR™ 1000

## PARTS LIST

Meter(s)

ITEM NAME	PART NUMBER	QUANTITY
-----------	-------------	----------

---