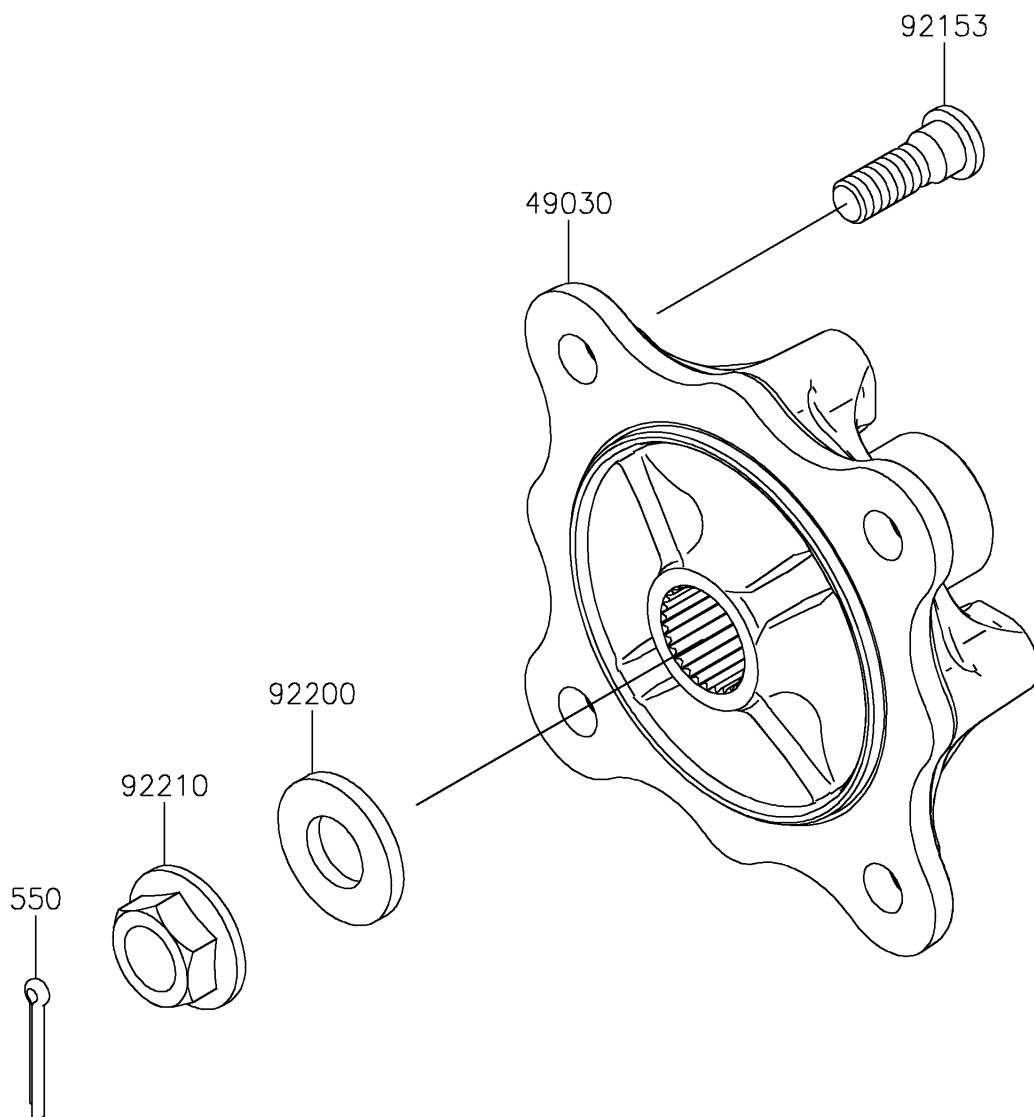


# 2026 MULE PRO-FXR™ 1000

## PARTS DIAGRAM

### Rear Hubs/Brakes

F2240



# 2026 MULE PRO-FXR™ 1000

## PARTS LIST

### Rear Hubs/Brakes

ITEM NAME	PART NUMBER	QUANTITY
-----------	-------------	----------

---