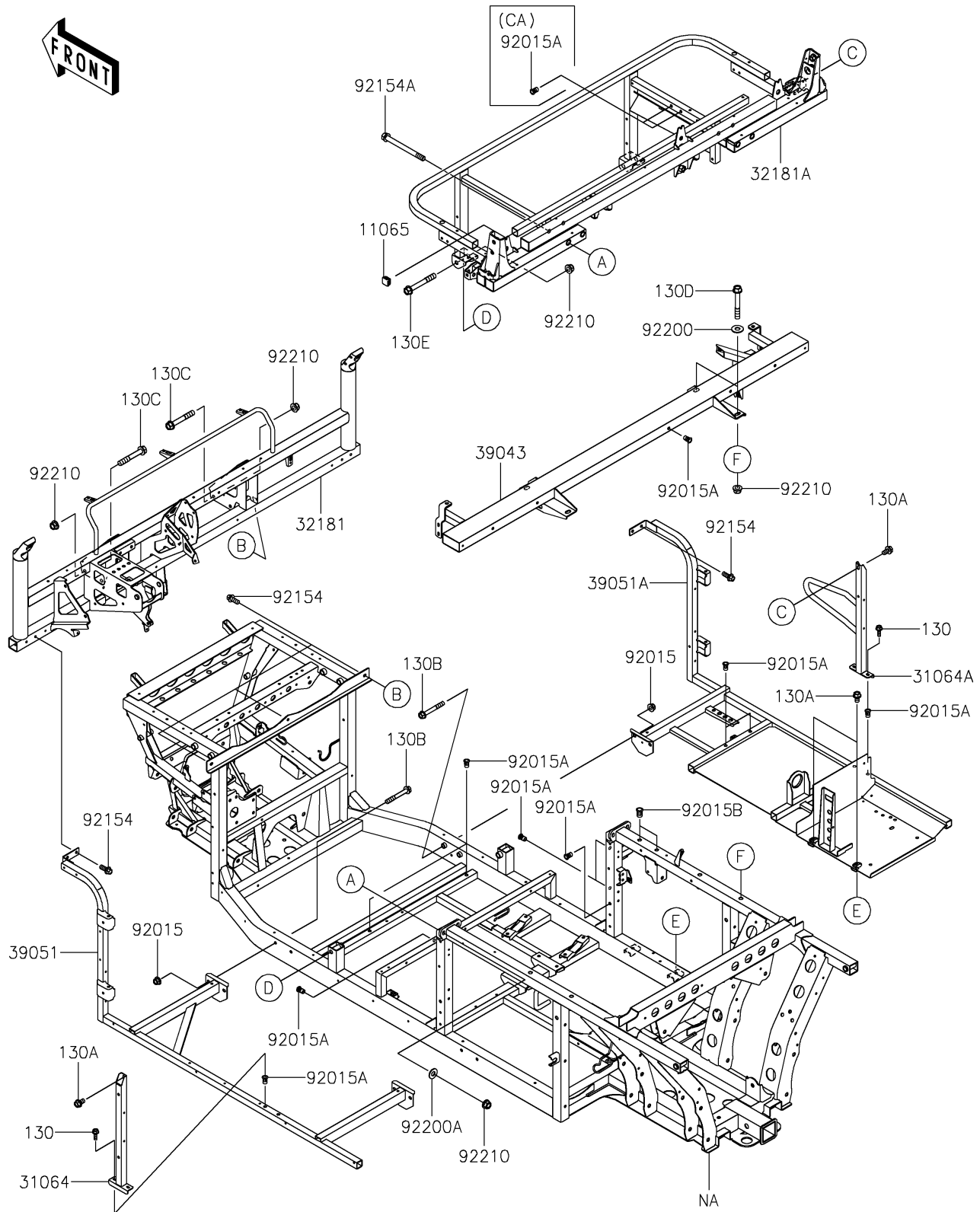


2025 MULE PRO-FXR 1000

PARTS DIAGRAM

Frame(MRFNN-MSSNL)

F2120



2025 MULE PRO-FXR 1000

PARTS LIST

Frame(MRFNN-MSSNL)

ITEM NAME	PART NUMBER	QUANTITY
CAP (Ref # 11065)	11065-0901	1
PIPE-COMP,SEAT SIDE,LH (Ref # 31064)	31064-0706	1
PIPE-COMP,SEAT SIDE,RH (Ref # 31064A)	31064-0707	1
FRAME-SUB-COMP,DASH PANEL (Ref # 32181)	32181-0048	1
FRAME-SUB-COMP,SEAT (Ref # 32181A)	32181-0049	1
CROSSMEMBER-COMP,RR CROSS (Ref # 39043)	39043-0042	1
FRAME-COMP-SIDE,LH (Ref # 39051)	39051-0015	1
FRAME-COMP-SIDE,RH (Ref # 39051A)	39051-0016	1
NUT,8MM (Ref # 92015)	92015-1432	6
NUT,POP,6MM,L=15 (Ref # 92015A)	92015-1791	15
NUT,POP,8MM,L=16.5 (Ref # 92015B)	92015-1793	2
BOLT,FLANGED,8X20 (Ref # 92154)	92154-1226	7
BOLT,FLANGED,10X110 (Ref # 92154A)	92154-1353	4
WASHER,10.5X25X1.6 (Ref # 92200)	92200-1595	4
WASHER,10.3X23X1.6 (Ref # 92200A)	92200-2009	4
NUT,LOCK,FLANGED,10MM (Ref # 92210)	92210-0276	14
BOLT-FLANGED,6X18 (Ref # 130)	130BA0618	4
BOLT-FLANGED,8X14 (Ref # 130A)	130BA0814	4
BOLT-FLANGED,8X60 (Ref # 130B)	130BA0860	6
BOLT-FLANGED,10X65 (Ref # 130C)	130BA1065	4
BOLT-FLANGED,10X70 (Ref # 130D)	130BA1070	4
BOLT-FLANGED,10X75 (Ref # 130E)	130CA1075	2
NUT,POP,6MM,L=15 (Ref # 92015A)	92015-1791	13