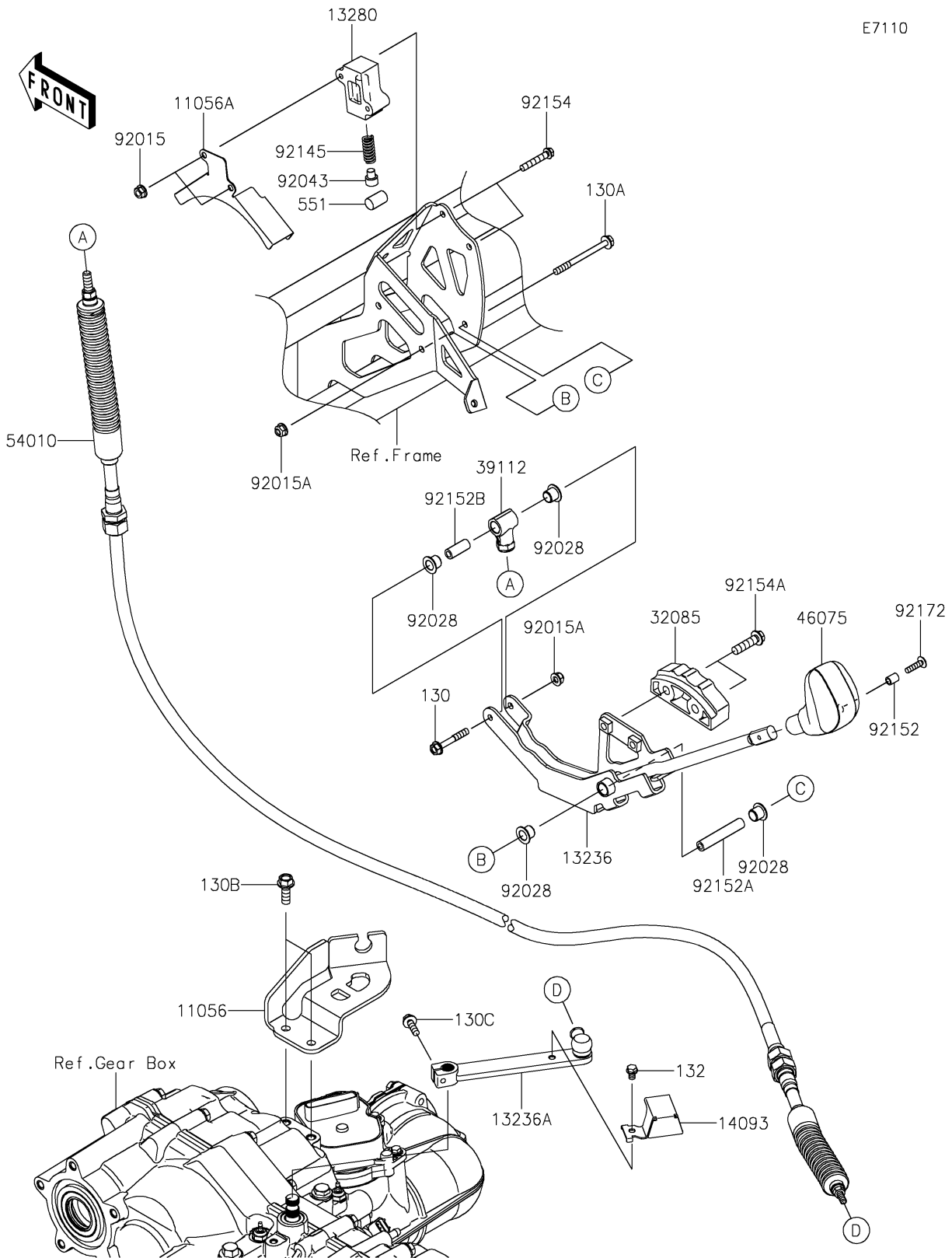


# 2025 MULE PRO-FXR 1000

## PARTS DIAGRAM

### Control



# 2025 MULE PRO-FXR 1000

## PARTS LIST

### Control



**ITEM NAME**

**PART NUMBER**

**QUANTITY**

---