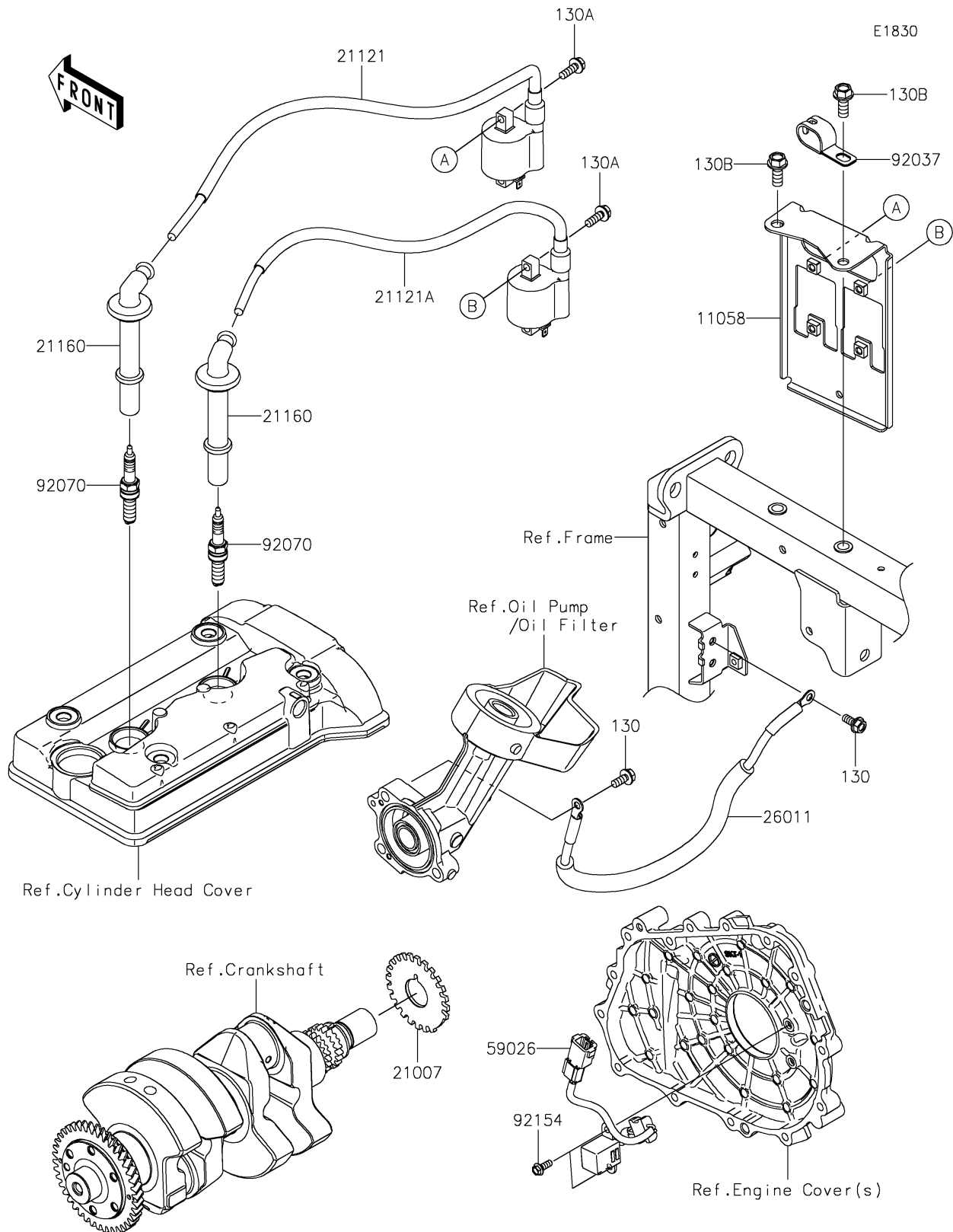


# 2026 MULE PRO-FXR™ 1000

## PARTS DIAGRAM

### Ignition System



# 2026 MULE PRO-FXR™ 1000

## PARTS LIST

### Ignition System

**ITEM NAME**

**PART NUMBER**

**QUANTITY**

---