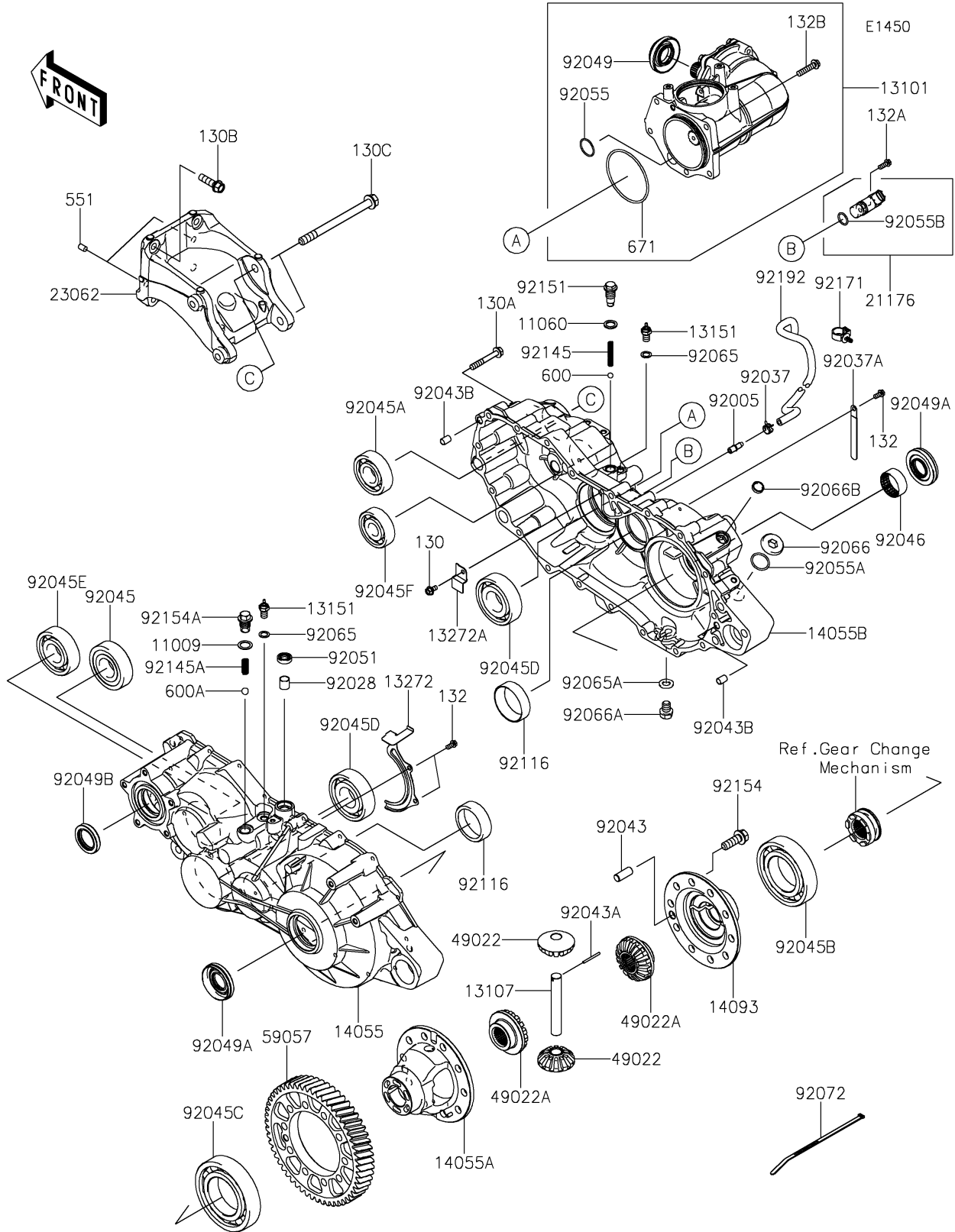


# 2024 MULE PRO-FXR™ 1000

## PARTS DIAGRAM

### Gear Box



# 2024 MULE PRO-FXR™ 1000

## PARTS LIST

### Gear Box

ITEM NAME	PART NUMBER	QUANTITY
-----------	-------------	----------

---