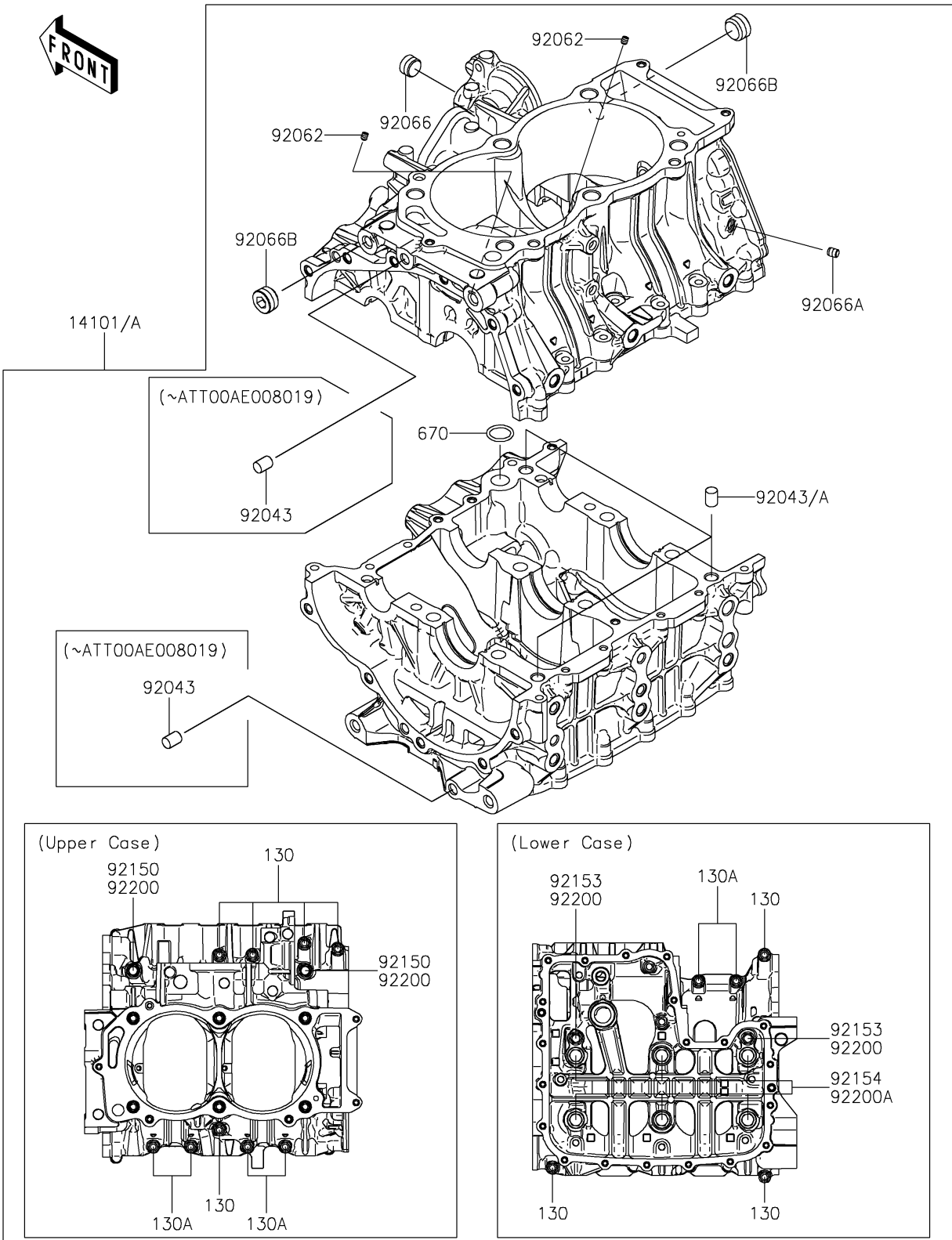


# 2026 MULE PRO-FXR™ 1000

## PARTS DIAGRAM

### Crankcase

E1411



# 2026 MULE PRO-FXR™ 1000

## PARTS LIST

### Crankcase

ITEM NAME	PART NUMBER	QUANTITY
-----------	-------------	----------

---