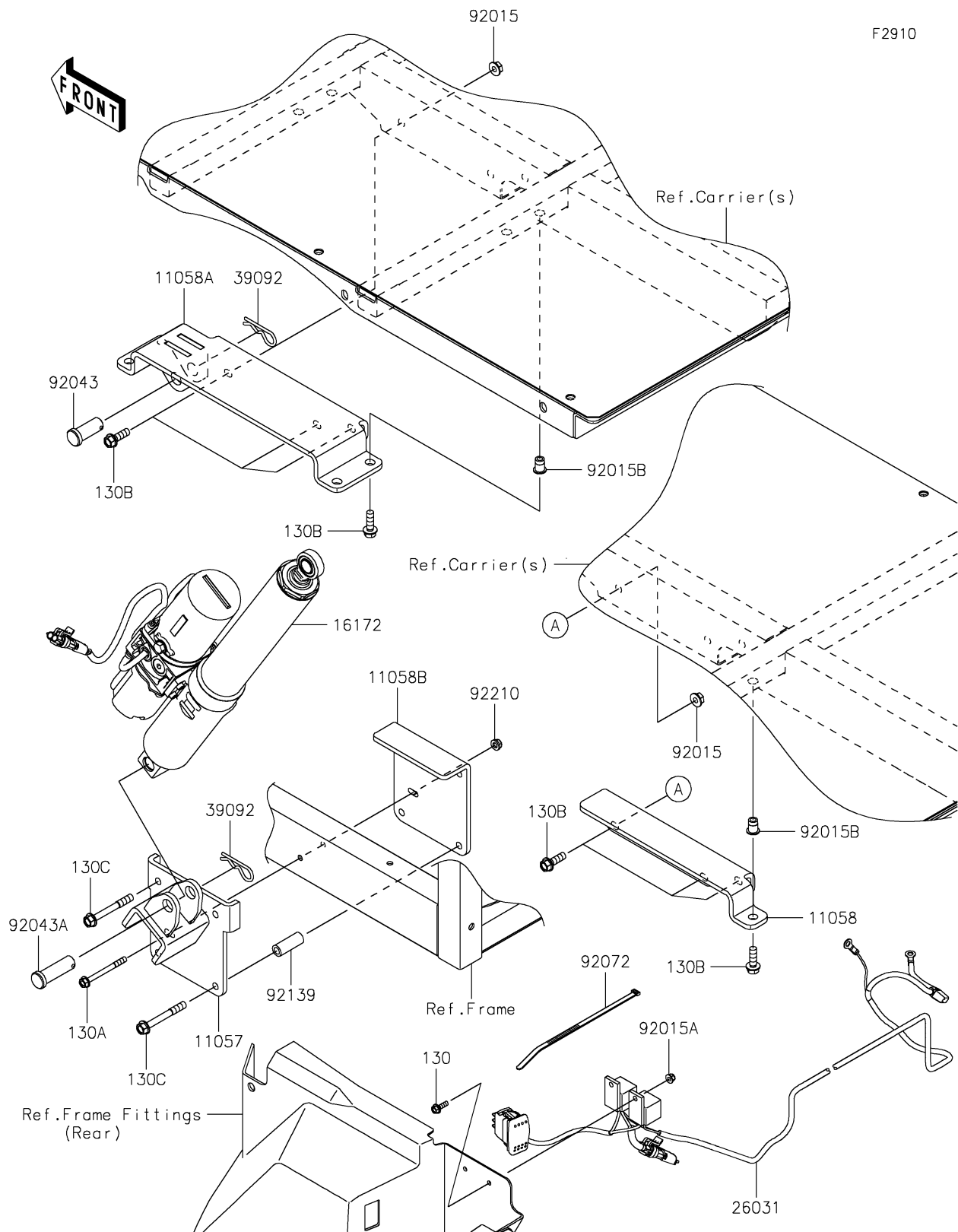


2025 MULE PRO-FX 1000 HD Edition

PARTS DIAGRAM

Cargo Bed Lift



2025 MULE PRO-FX 1000 HD Edition

PARTS LIST

Cargo Bed Lift

ITEM NAME	PART NUMBER	QUANTITY
BRACKET,LWR,OUTER (Ref # 11057)	11057-7875	1
BRACKET,UPP,RH (Ref # 11058)	11058-0519	1
BRACKET,UPP,LH (Ref # 11058A)	11058-0520	1
BRACKET,LWR,INNER (Ref # 11058B)	11058-1135	1
ACTUATOR (Ref # 16172)	16172-0048	1
HARNESS,BED LIFT (Ref # 26031)	26031-4089	1
PIN-HAIR (Ref # 39092)	39092-0002	2
NUT,LOCK,FLANGED,8MM (Ref # 92015)	92015-1397	6
NUT,LOCK,FLANGED,5MM (Ref # 92015A)	92015-1752	2
NUT,POP,8MM,L=16.5 (Ref # 92015B)	92015-1793	5
PIN (Ref # 92043)	92043-0846	1
PIN (Ref # 92043A)	92043-0847	1
BAND,L=292.1 (Ref # 92072)	92072-3509	17
BUSHING (Ref # 92139)	92139-0840	2
NUT,LOCK,FLANGED,6MM (Ref # 92210)	92210-0303	1
BOLT-FLANGED,5X16 (Ref # 130)	130BA0516	2
BOLT-FLANGED,6X65 (Ref # 130A)	130CA0665	1
BOLT-FLANGED,8X25 (Ref # 130B)	130CA0825	11
BOLT-FLANGED,8X65 (Ref # 130C)	130CA0865	4