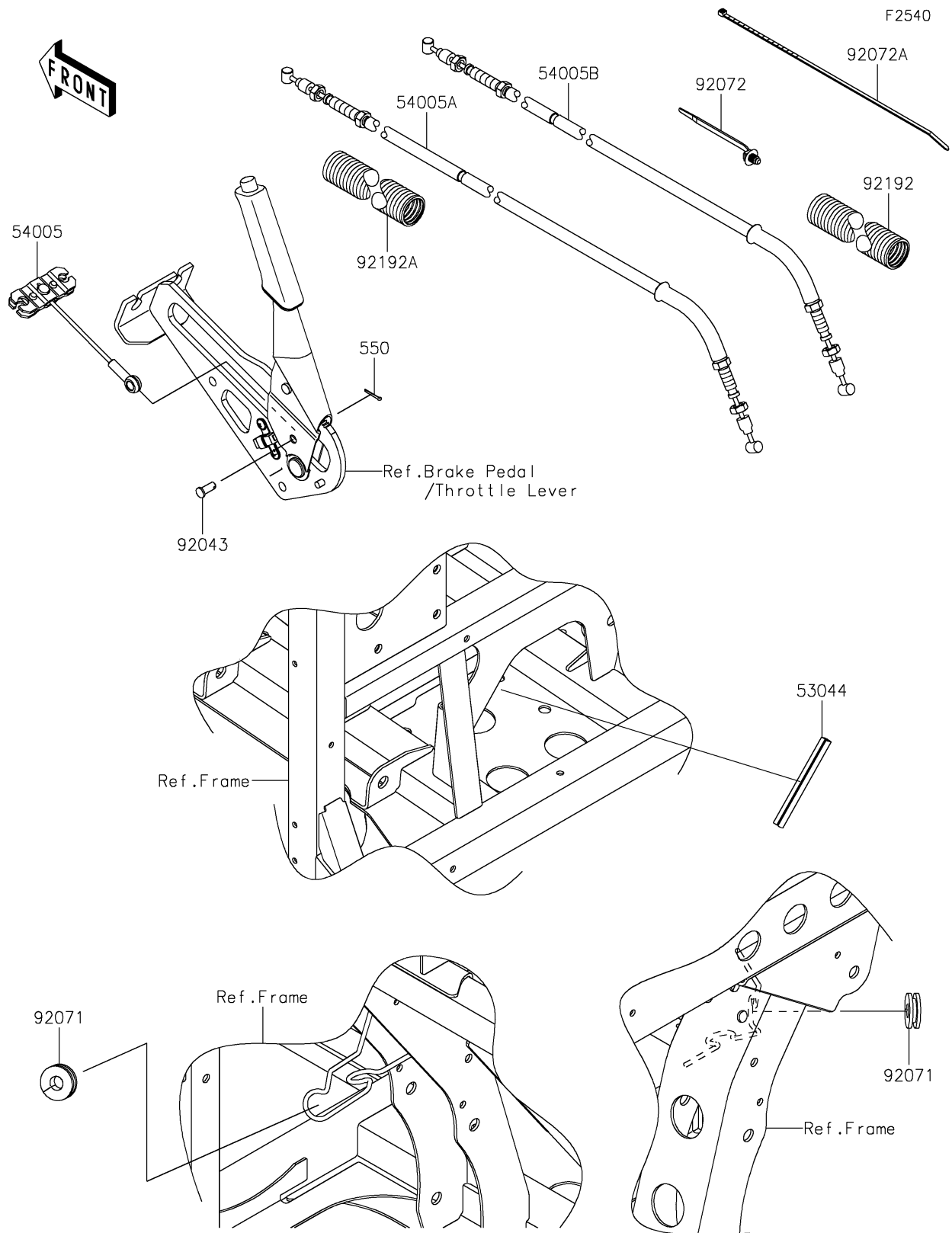


# 2026 MULE PRO-FX™ 1000 HD EDITION

**Kawasaki**  
Let the Good Times Roll®

## PARTS DIAGRAM

### Cables



# 2026 MULE PRO-FX™ 1000 HD EDITION

**Kawasaki**  
Let the Good Times Roll®

## PARTS LIST

### Cables

ITEM NAME	PART NUMBER	QUANTITY
-----------	-------------	----------

---