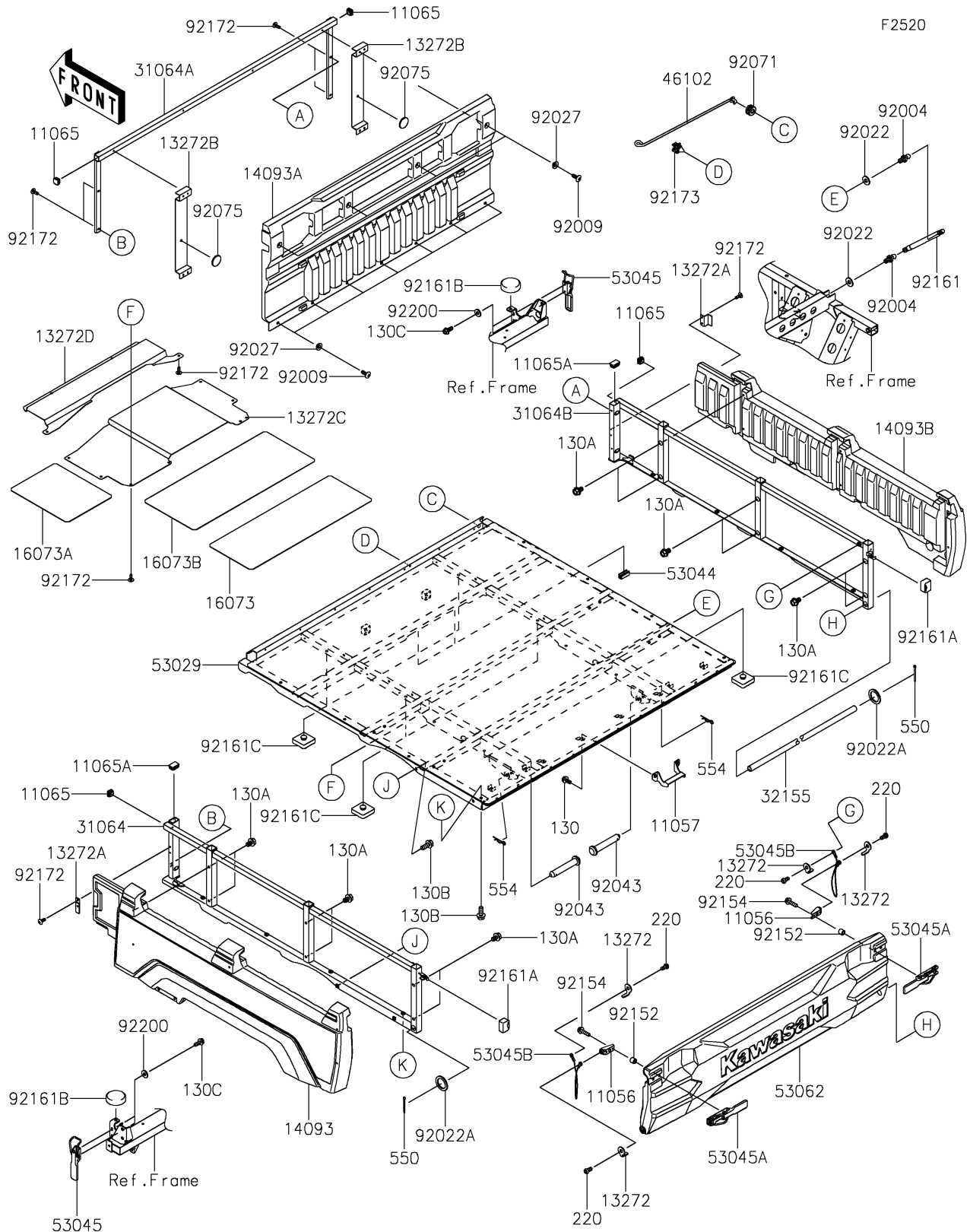


2026 MULE PRO-FX™ 1000 HD EDITION

PARTS DIAGRAM

Carrier(s)



2026 MULE PRO-FX™ 1000 HD EDITION



PARTS LIST

Carrier(s)

ITEM NAME	PART NUMBER	QUANTITY
-----------	-------------	----------
