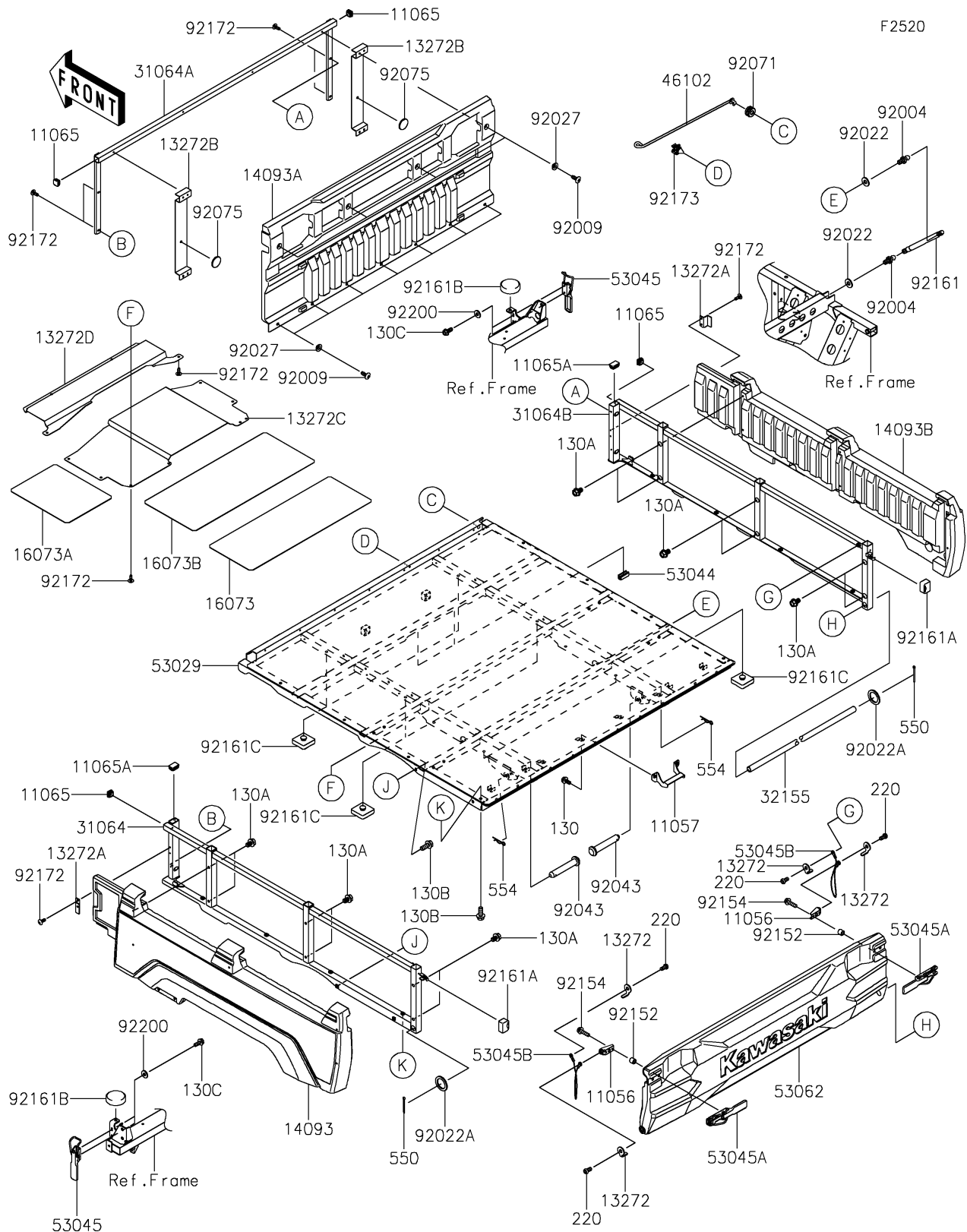


# 2025 MULE PRO-FX 1000 HD Edition

## PARTS DIAGRAM

### Carrier(s)



# 2025 MULE PRO-FX 1000 HD Edition



## PARTS LIST

Carrier(s)

**ITEM NAME**

**PART NUMBER**

**QUANTITY**

---