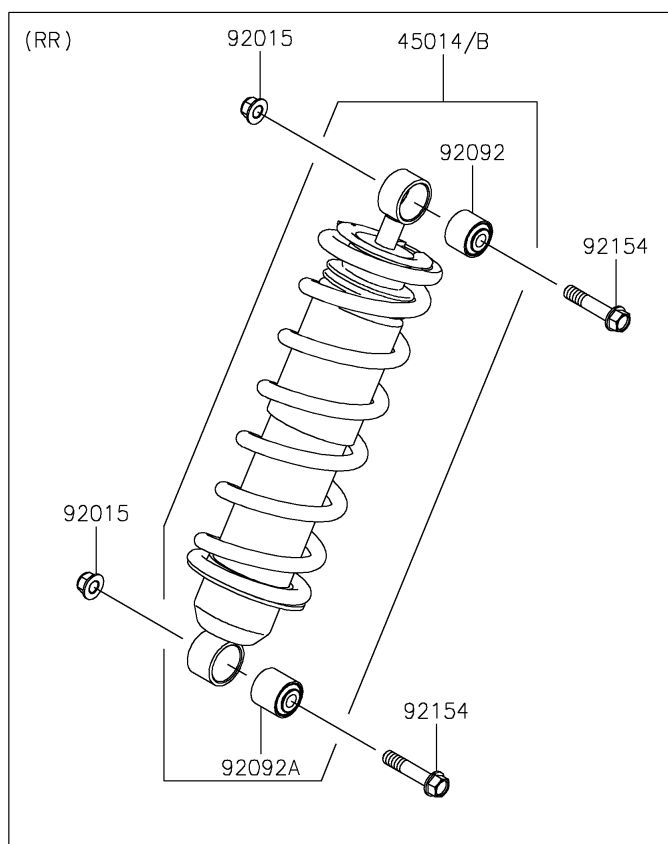
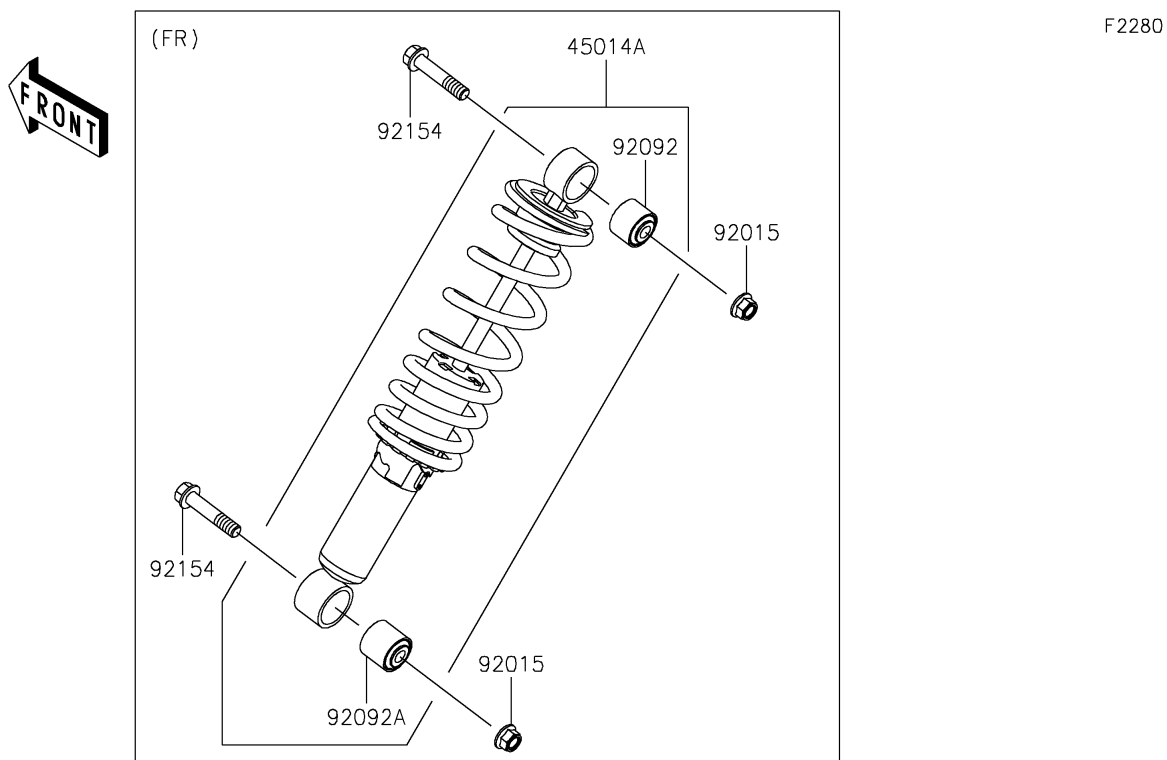


# 2026 MULE PRO-FX™ 1000 HD EDITION

## PARTS DIAGRAM

### Shock Absorber(s)



# 2026 MULE PRO-FX™ 1000 HD EDITION



## PARTS LIST

Shock Absorber(s)

**ITEM NAME**

**PART NUMBER**

**QUANTITY**

---