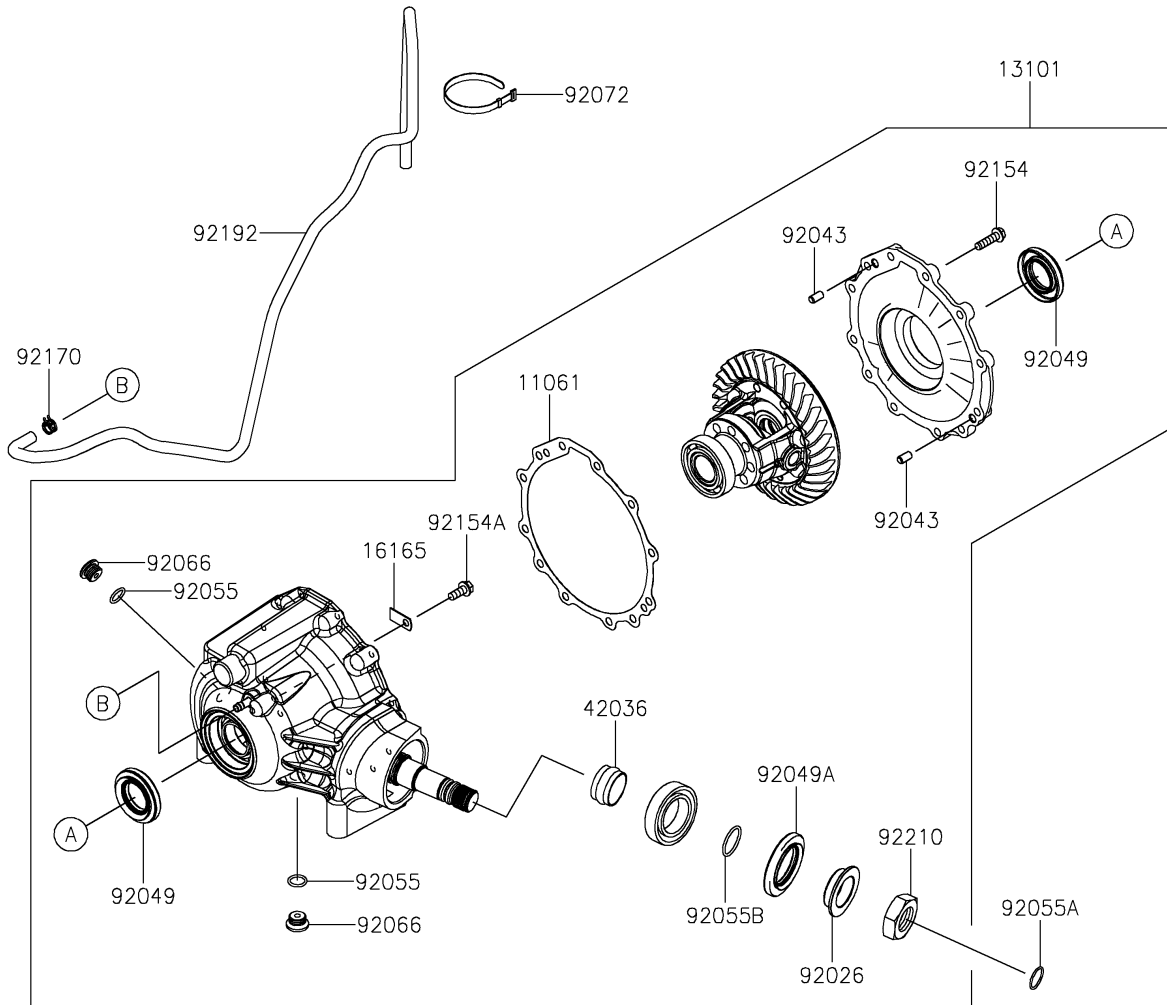
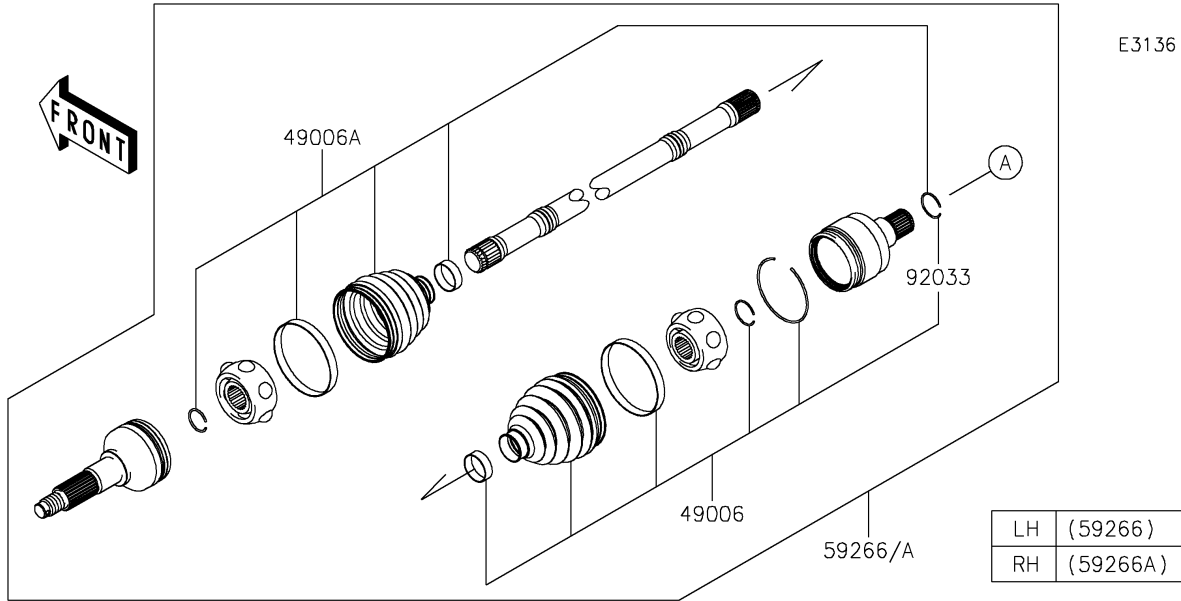


# 2026 MULE PRO-FX™ 1000 HD EDITION

## PARTS DIAGRAM

### Drive Shaft-Front



# 2026 MULE PRO-FX™ 1000 HD EDITION



## PARTS LIST

### Drive Shaft-Front

ITEM NAME	PART NUMBER	QUANTITY
-----------	-------------	----------

---