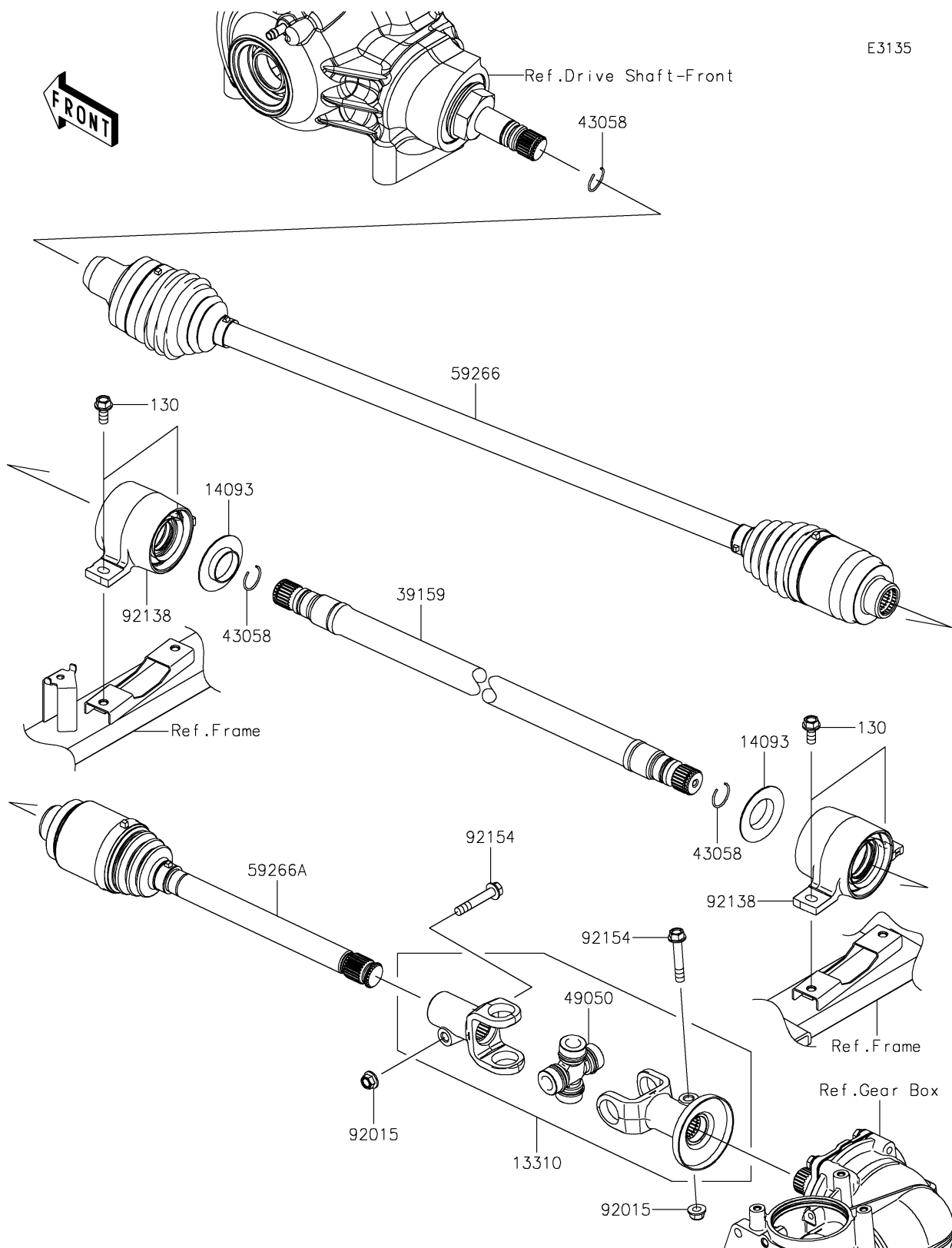


# 2026 MULE PRO-FX™ 1000 HD EDITION

## PARTS DIAGRAM Drive Shaft-Propeller



# 2026 MULE PRO-FX™ 1000 HD EDITION



## PARTS LIST

### Drive Shaft-Propeller

ITEM NAME	PART NUMBER	QUANTITY
-----------	-------------	----------

---