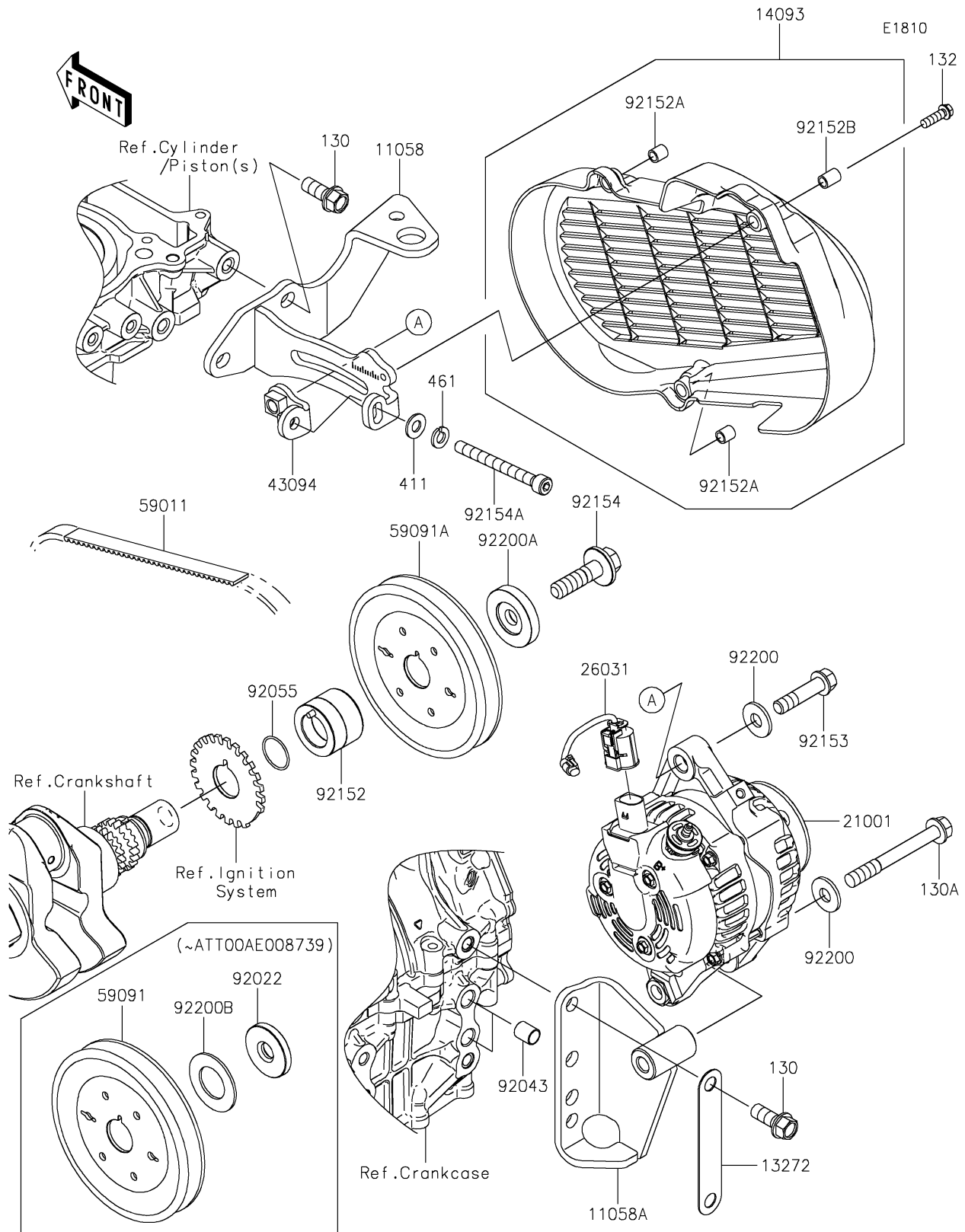


# 2026 MULE PRO-FX™ 1000 HD EDITION

## PARTS DIAGRAM

### Generator



# 2026 MULE PRO-FX™ 1000 HD EDITION



## PARTS LIST

### Generator

ITEM NAME	PART NUMBER	QUANTITY
-----------	-------------	----------

---