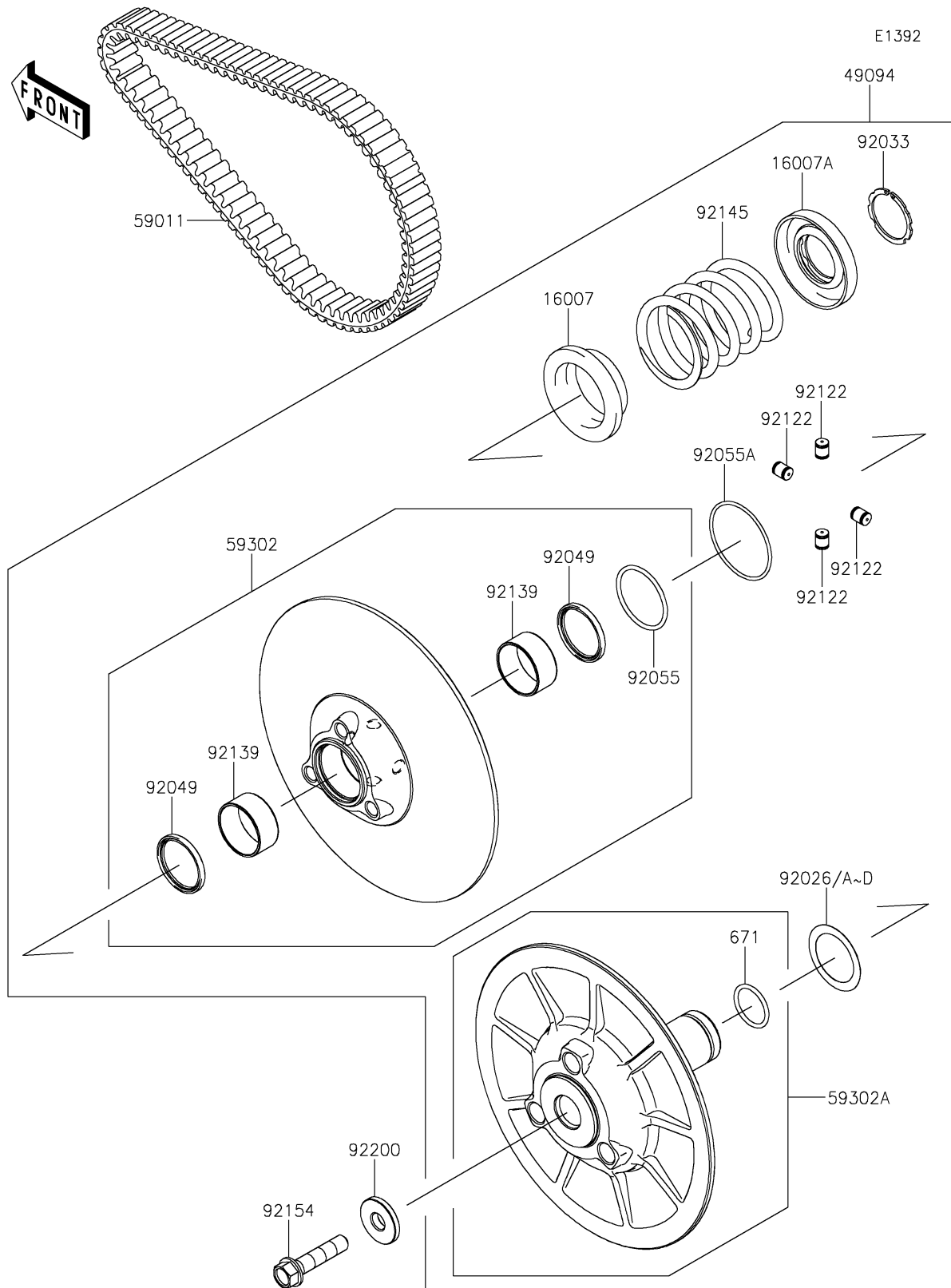


# 2025 MULE PRO-FX 1000 HD Edition

## PARTS DIAGRAM

### Driven Converter/Drive Belt



# 2025 MULE PRO-FX 1000 HD Edition



## PARTS LIST

### Driven Converter/Drive Belt

ITEM NAME	PART NUMBER	QUANTITY
-----------	-------------	----------

---