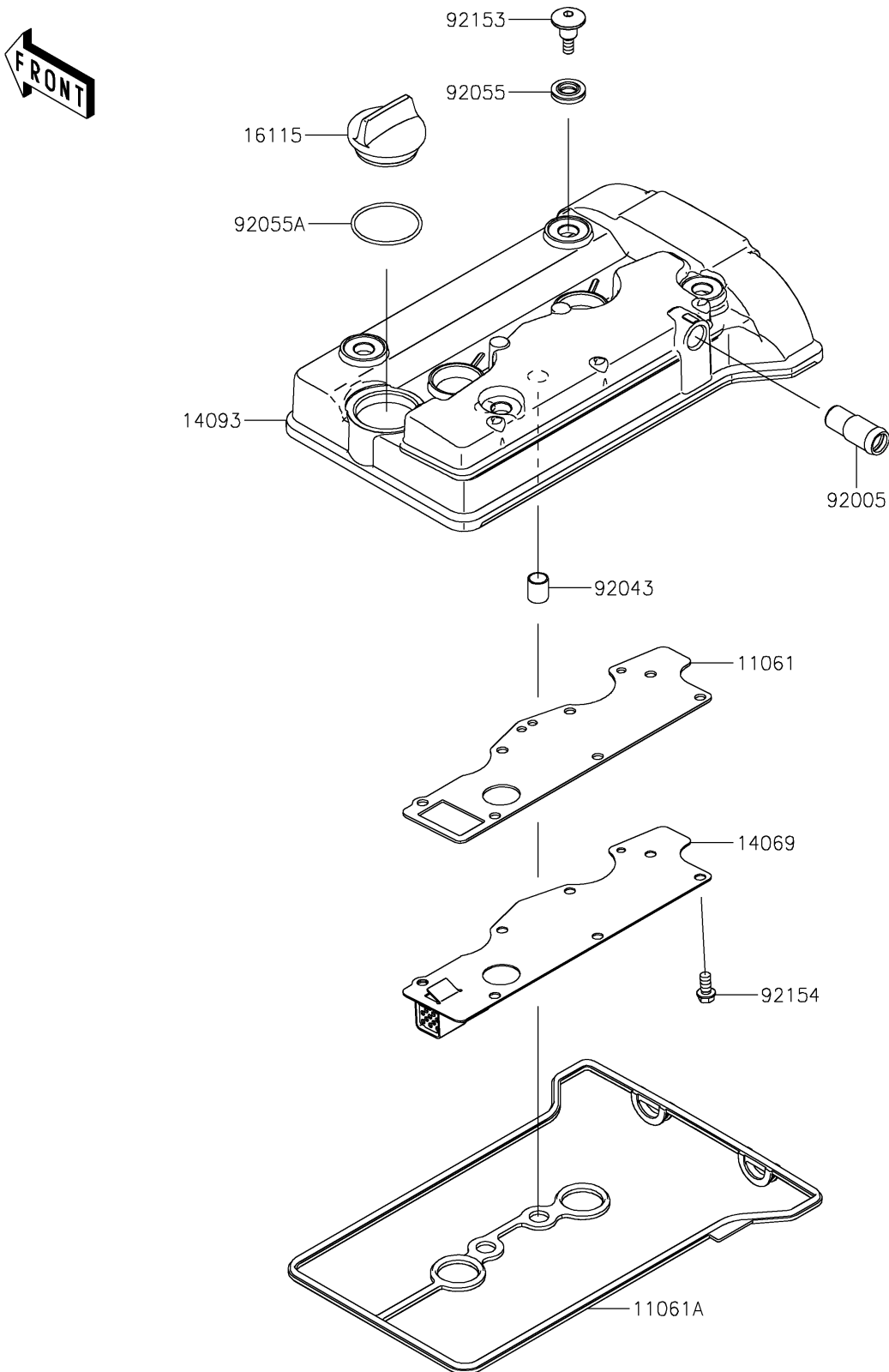


# 2025 MULE PRO-FX 1000 HD Edition

## PARTS DIAGRAM Cylinder Head Cover

E1112



# 2025 MULE PRO-FX 1000 HD Edition

## PARTS LIST

### Cylinder Head Cover

ITEM NAME	PART NUMBER	QUANTITY
GASKET,BREATHER PLATE (Ref # 11061)	11061-1314	1
GASKET,HEAD COVER (Ref # 11061A)	11061-1457	1
BREATHER (Ref # 14069)	14069-0036	1
COVER,HEAD COVER (Ref # 14093)	14093-1384	1
CAP-OIL FILLER (Ref # 16115)	16115-1064	1
FITTING,BREATHER (Ref # 92005)	92005-0968	1
PIN,10.1X12X14 (Ref # 92043)	92043-4009	2
RING-O (Ref # 92055)	92055-0785	4
RING-O (Ref # 92055A)	92055-1759	1
BOLT,SOCKET,6X22.5 (Ref # 92153)	92153-1779	4
BOLT,FLANGED-SMALL,6X12 (Ref # 92154)	92154-1888	7