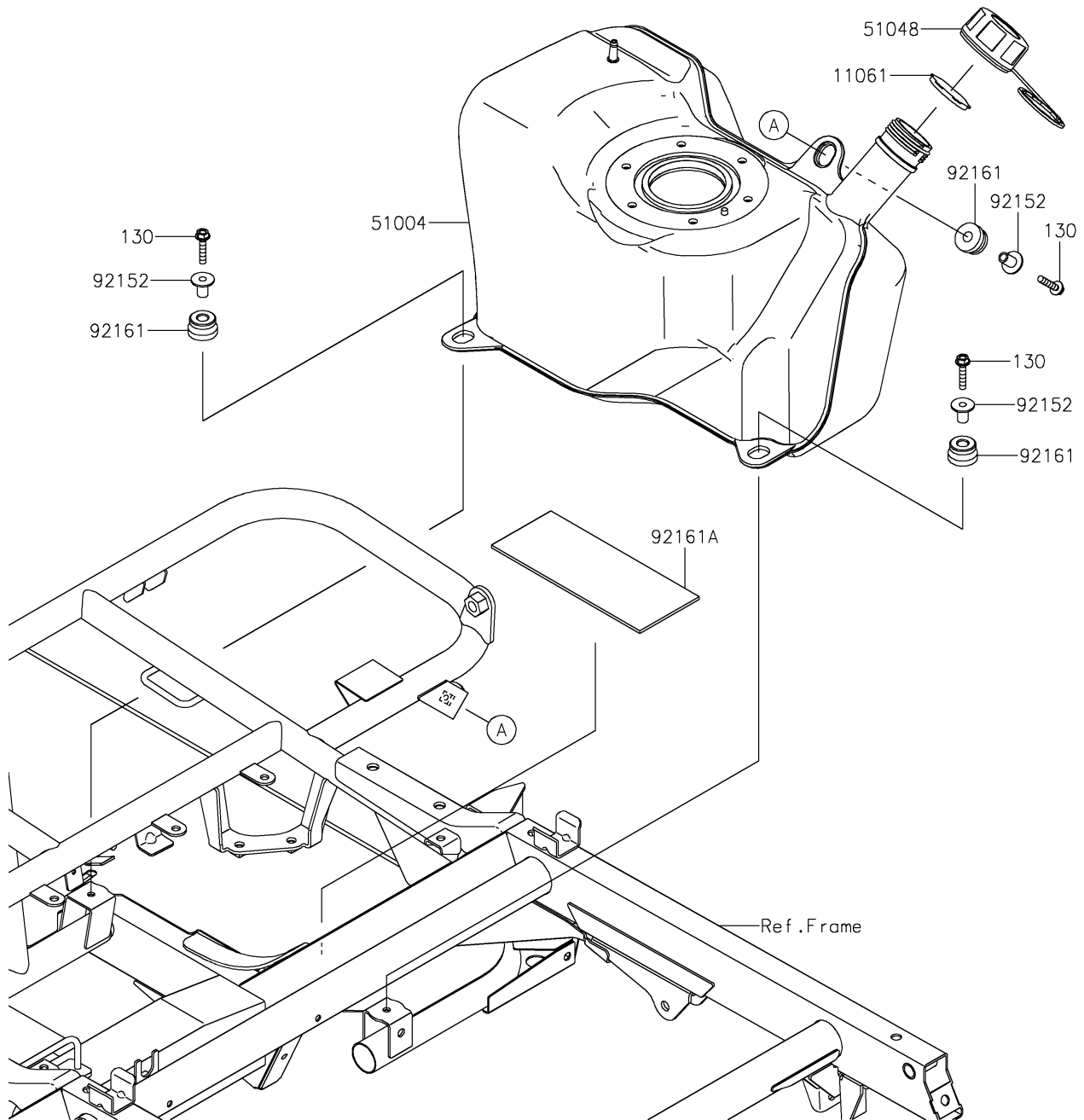


# 2022 MULE SX™ 4x4 XC LE FI

## PARTS DIAGRAM

### Fuel Tank

F2410



# 2022 MULE SX™ 4x4 XC LE FI

## PARTS LIST

### Fuel Tank

ITEM NAME	PART NUMBER	QUANTITY
-----------	-------------	----------

---