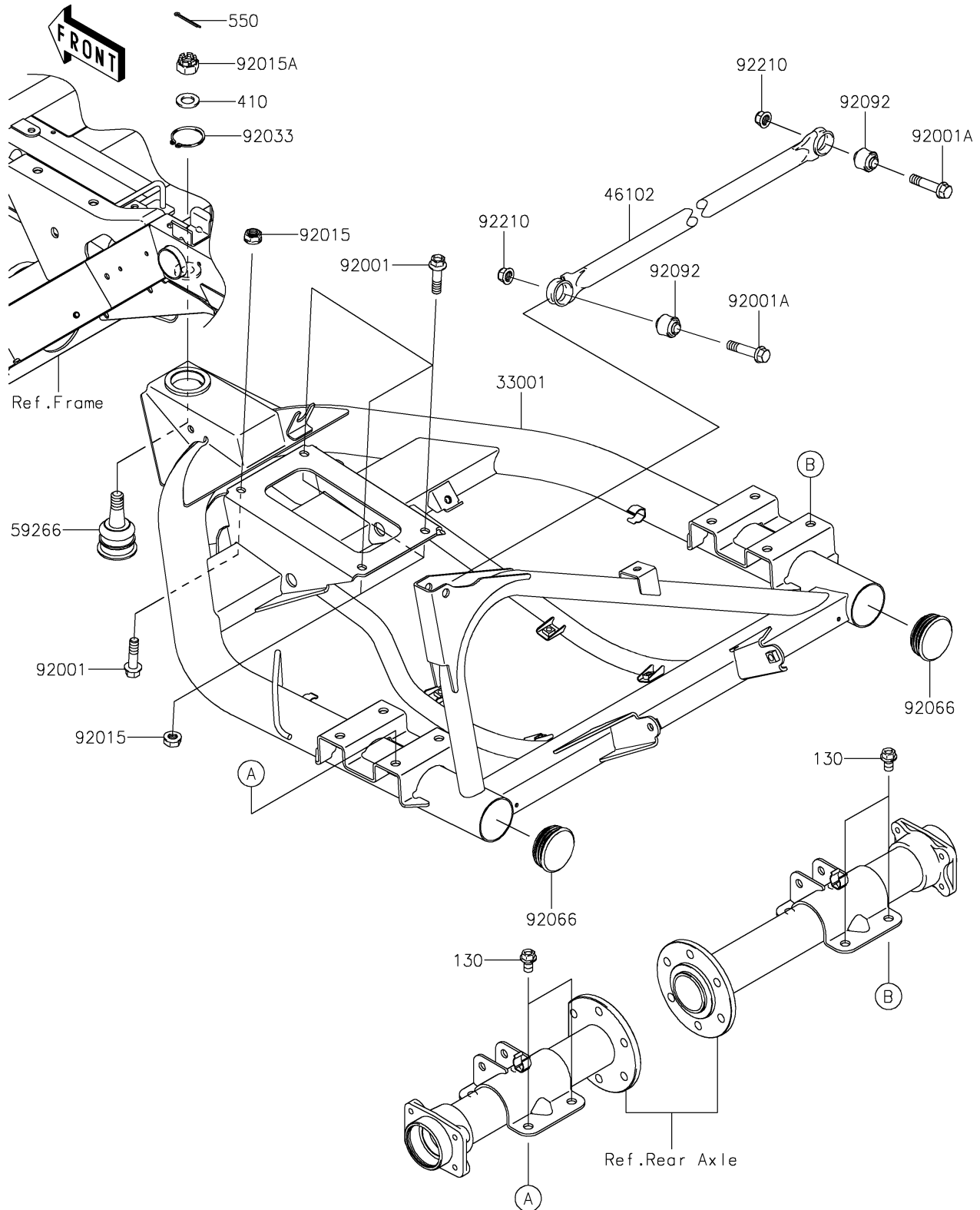


# 2023 MULE SX™ 4x4 XC LE FI

## PARTS DIAGRAM

### Swingarm

F2141



# 2023 MULE SX™ 4x4 XC LE FI

## PARTS LIST

### Swingarm

ITEM NAME	PART NUMBER	QUANTITY
-----------	-------------	----------

---