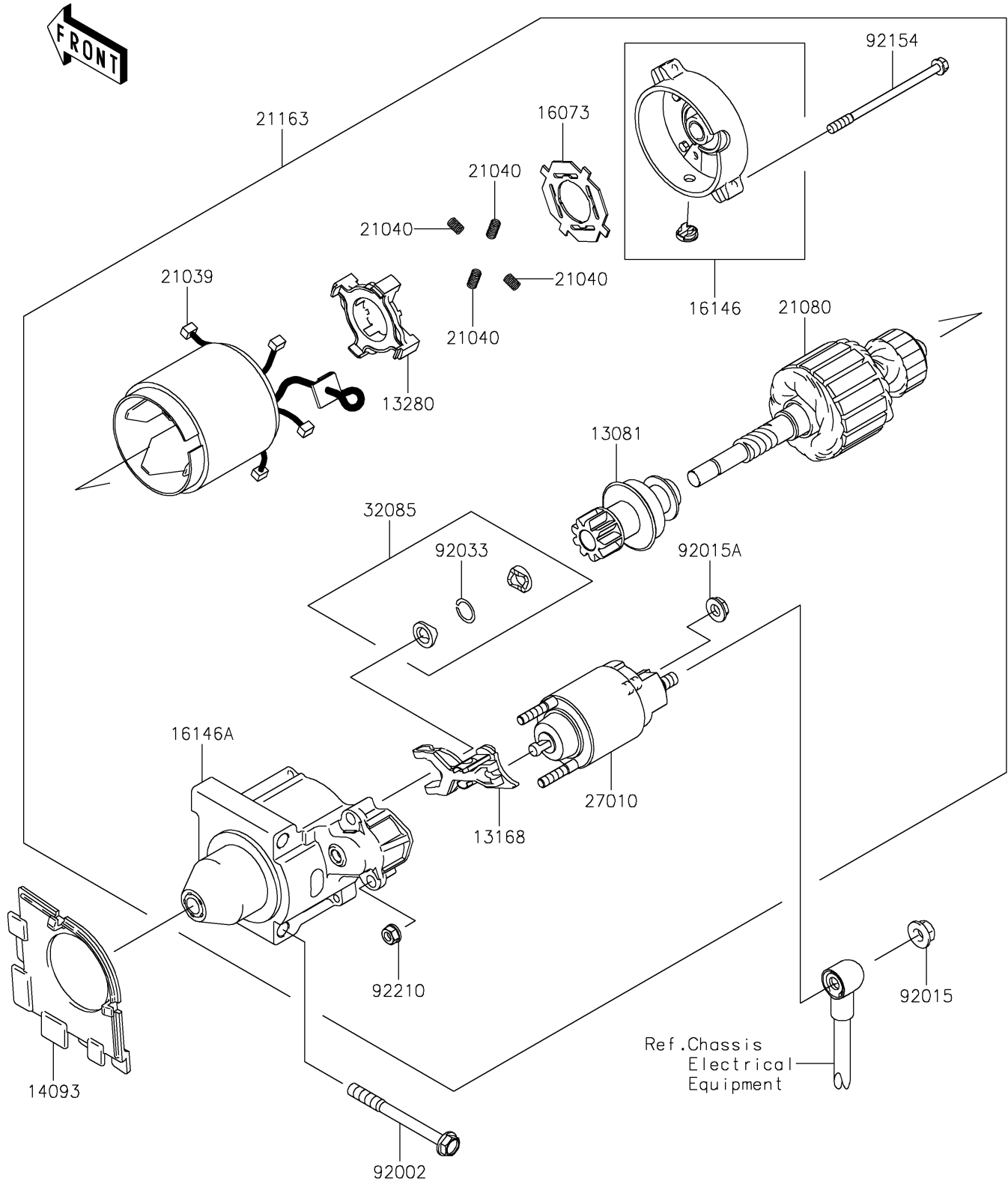


# 2023 MULE SX™ 4x4 XC LE FI

## PARTS DIAGRAM

### Starter Motor

E1840



# 2023 MULE SX™ 4x4 XC LE FI

## PARTS LIST

### Starter Motor

| ITEM NAME | PART NUMBER | QUANTITY |
|-----------|-------------|----------|
|-----------|-------------|----------|

---