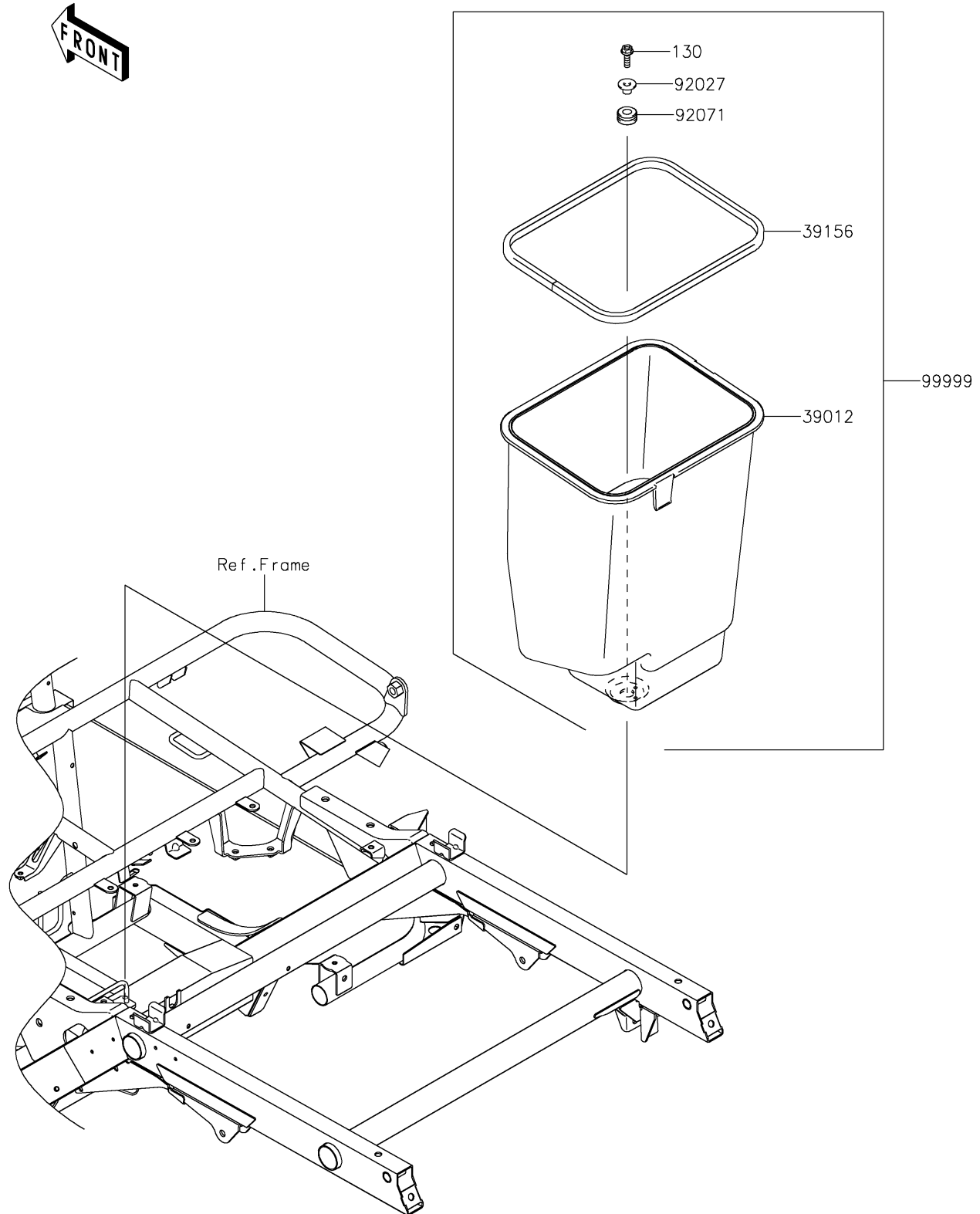


# 2023 MULE SX™ 4x4 XC FI

## PARTS DIAGRAM

### Optional Parts(Frame)(RMFNN/RNFNN)

F2890A



# 2023 MULE SX™ 4x4 XC FI

## PARTS LIST

Optional Parts(Frame)(RMFNN/RNFNN)

**ITEM NAME**

**PART NUMBER**

**QUANTITY**

---