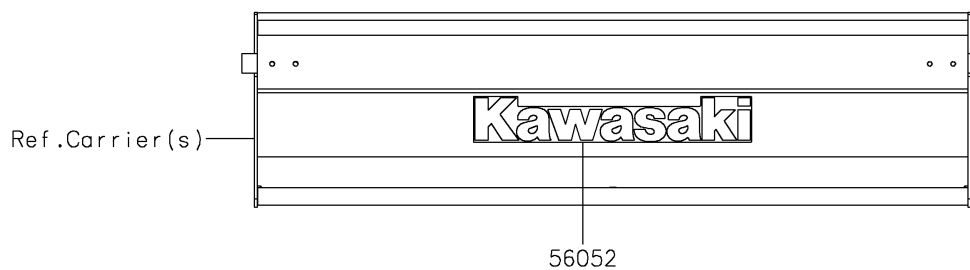
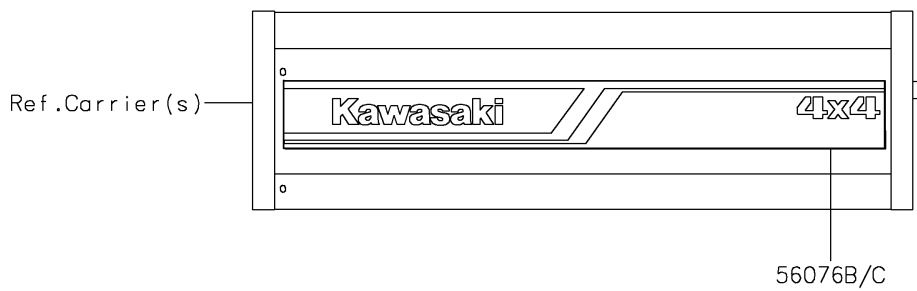
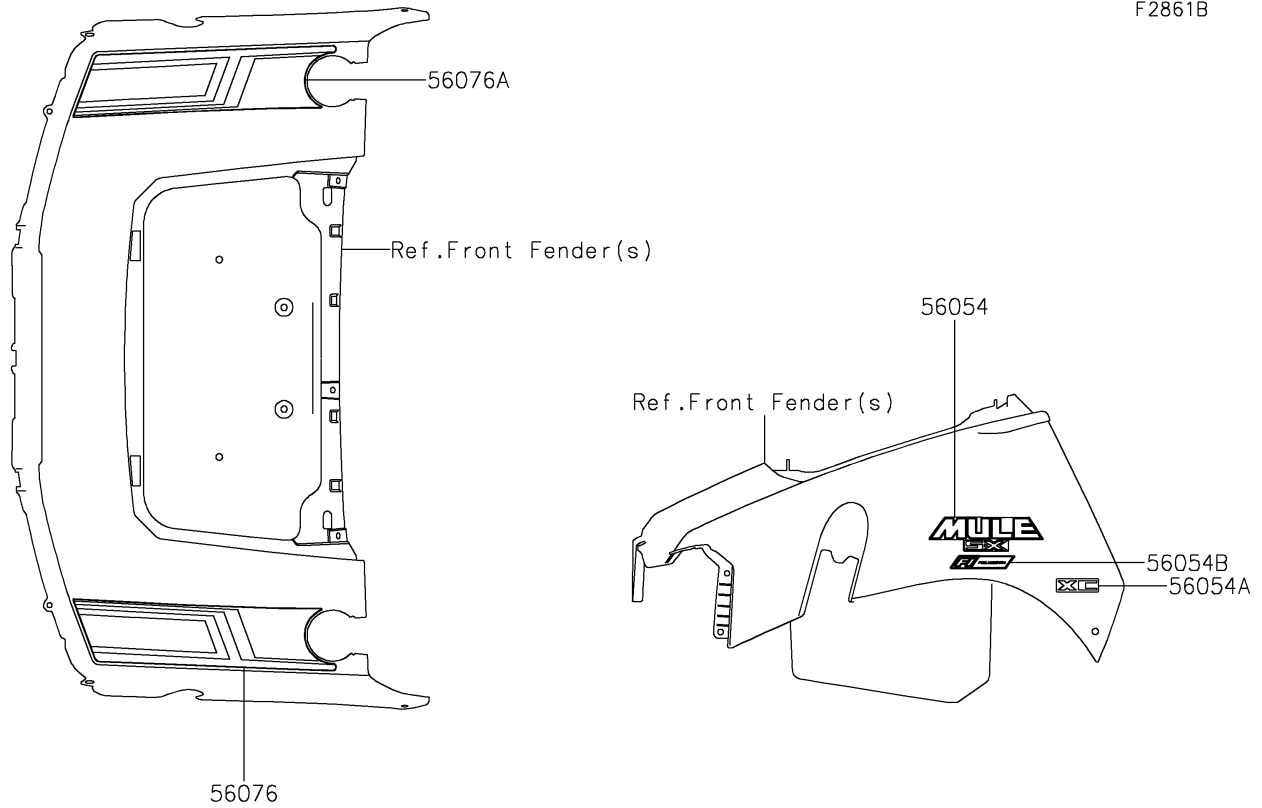


# 2023 MULE SX™ 4x4 XC FI

## PARTS DIAGRAM

Decals(Red)(RNFNN/RPFNN)

F2861B



# 2023 MULE SX™ 4x4 XC FI

## PARTS LIST

Decals(Red)(RNFNN/RPFNN)

**ITEM NAME**

**PART NUMBER**

**QUANTITY**

---