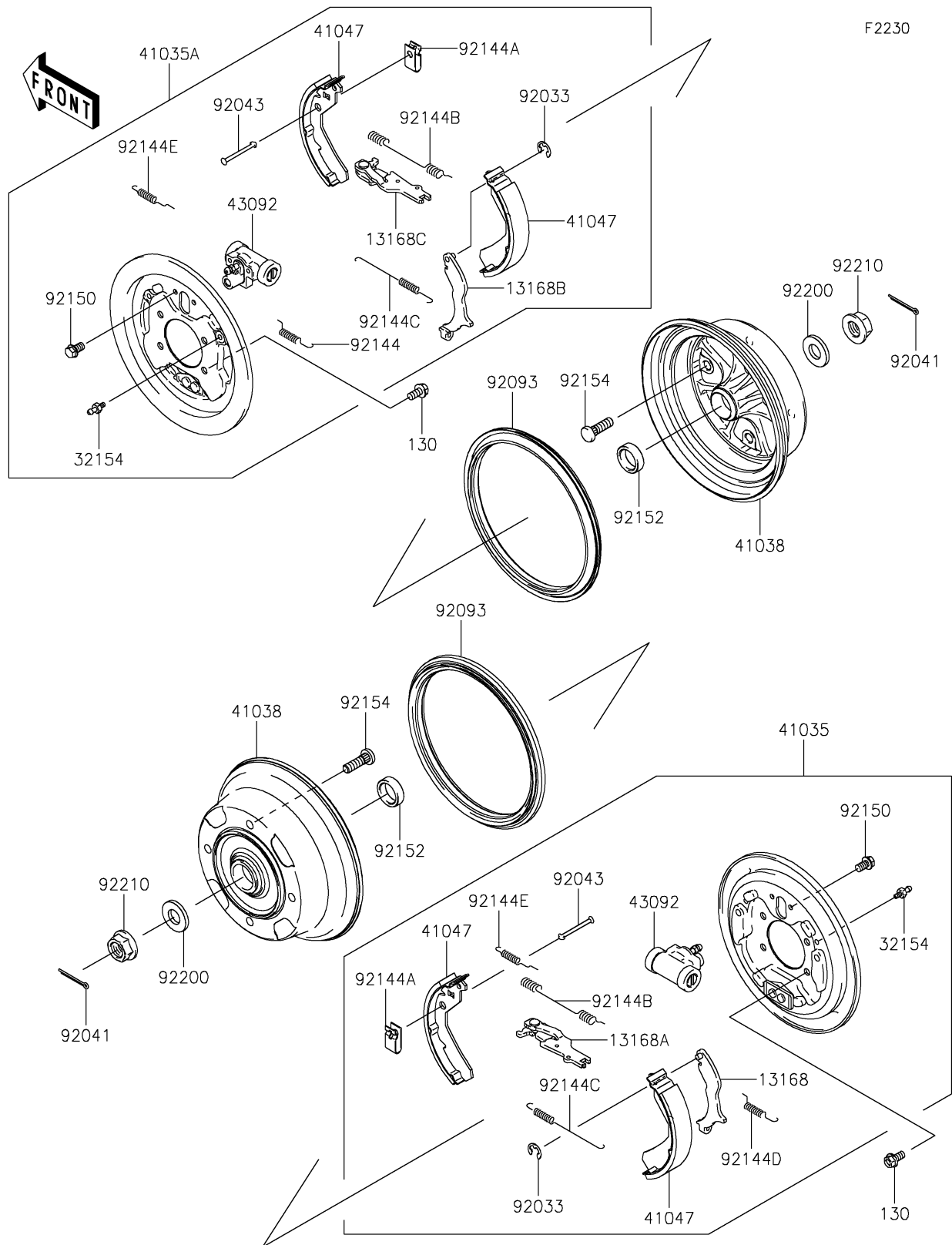


# 2023 MULE SX™ 4x4 XC FI

## PARTS DIAGRAM

### Front Hubs/Brakes



# 2023 MULE SX™ 4x4 XC FI

## PARTS LIST

### Front Hubs/Brakes

ITEM NAME	PART NUMBER	QUANTITY
-----------	-------------	----------

---